

GOT5100T-834

10.4" XGA/SVGA TFT Fanless Touch Panel Computer with Intel® Celeron® Processor J1900

Features

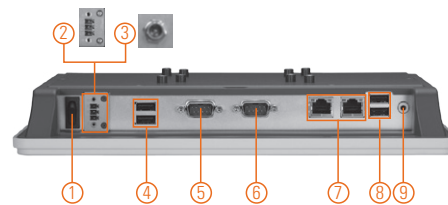
- 10.4" XGA/SVGA TFT LCD display with LED backlight
- Fanless design with Intel® Celeron® processor J1900 and internal antenna
- 2 GbE LAN, 4 USB and 2 COM
- Plastic and IP65-rated front bezel
- Supports RFID (optional)
- Supports panel mount/wall mount/VESA arm



▲ Side view



▲ Desktop stand



1. Power switch
2. Terminal block for DC power input or
3. Screw conn. w/ AC power adapter
4. USB 3.0 x 2
5. COM 1 (RS-232/422/485)
6. COM 2 (RS-232/422/485)
7. Ethernet x 2
8. USB 2.0 x 2
9. Audio (Line-out)



Introduction

The GOT5100T-834 is a 10.4" Intel® Celeron®-based fanless touch panel computer. In response to market demand, this panel computer is a cost effective solution. It adopts a modern, super sleek and fanless design and is equipped with a 10.4" TFT LCD as well as Intel® Celeron® processor J1900 4 cores (Bay Trail). For wireless network connection, the GOT5100T-834 offers 2 PCI Express Mini Card slots. By just plugging in the mini card WLAN card, customers can have instant access to wireless LAN/GPRS/GSM/4G environments. Besides, it provides two types of power input. One is DC power input (9 to 36 VDC) with terminal block connector, and another is AC power adapter with screw type connector.

Super Slim & Ultra Lightweight Design

The GOT5100T-834 is a super slim touch panel computer for space-limited environment with its thickness of 45.8 mm and weight of 1.8 kg only, which make it installed everywhere.

Built-in Internal WLAN Antenna

The GOT5100T-834 provides 2 PCIe Mini Card slots and a built-in WLAN antenna for wireless network connections. By simply plugging in the wireless LAN card, customers can use the GOT5100T-834 in a wireless LAN/GPRS/GSM/4G environments.

Aluminum Back Chassis with Excellent Thermal Solution

With Axiomtek's patent for plastic plus aluminum mechanism design, the GOT5100T-834 can dissipate the heat easily and keep the system operation stable.

Specifications

Front Bezel	IP65, NEMA 4 rugged protection, plastic front bezel	
LCD Panel	Display Type	10.4" XGA/SVGA TFT LCD with LED backlight
	Brightness (cd/m ²)	350 nits (XGA) 400 nits (SVGA)
	Resolution	1024 x 768 (XGA) 800 x 600 (SVGA)
	Viewing Angel (H/V)	140°/120°
	Main System	CPU
	System Memory	1 x 204-pin DDR3L-1333 MHz SO-DIMM, up to 8GB
	BIOS	AMI UEFI BIOS
	Storage	1 x 2.5" 7/9.5mm SATA HDD 1 x CFast™ or mSATA
	Watchdog Timer	255 levels, 0 to 255 sec.
	Onboard Graphics	Integrated in Intel® GFX

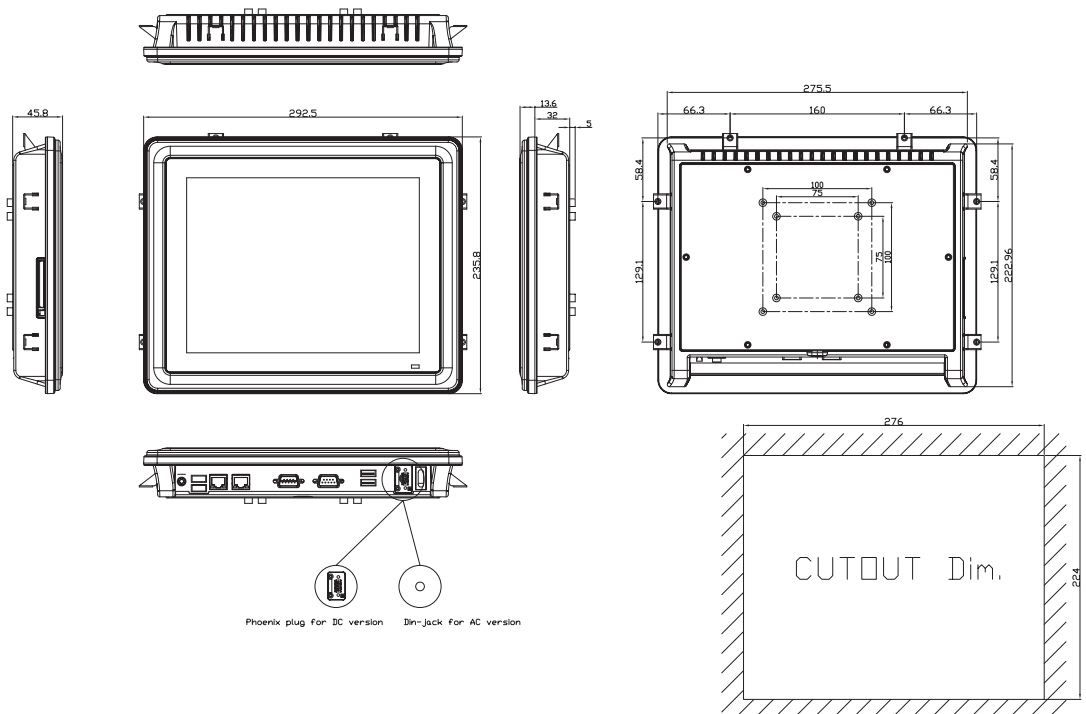
Specifications

I/O Connector	2 x RS-232/422-485 (default RS-232, COM 1/2) 2 x 10/100/1000 Mbps Ethernet (Intel® i210IT) 2 x USB 2.0 2 x USB 3.0 1 x Audio (Line-out)
TPM	N/A
Expansion Interface	1 x full-size PCI Express Mini Card slot with mSATA 1 x full-size PCI Express Mini Card slot with SIM
Touchscreen	Resistive type
Power Supply	1. DC version: 9 to36 VDC with over-current protection fuse 2. AC version: 100 to240 V AC-DC, 60W power adapter
Power Consumption	32 W
Dimension	292.5 mm (11.52") (W) x 45.8 mm (1.80") (D) x 235.8 mm (9.28") (H)
Packing Dimensions	415 mm (16.34") (W) x 100 mm (3.94") (D) x 315 mm (12.4") (H)
Weight (net/gross)	1.8 kg (3.96 lb)/3 kg (6.61 lb)
Environment	Operating temperature: 0°C to+50°C (+32°F to+122°F) (with W.T. DRAM/HDD in airflow condition) 0°C to+45°C (+32°F to+113°F) (with W.T. DRAM/HDD) Relative humidity: 20% to90% @ +40°C; non-condensing Operation vibration: 2G, 5 to500Hz, random for CFast™
Certificate	CE

Packing List

- 1 x GOT5100T-834
- 1 x Driver CD
- 1 x Adapter (GOT5100T-834-J)
- 1 x Panel mount kit
- 1 x Wall mount kit
- 1 x Phoenix connector (GOT5100T-834 DC)

Dimensions



Ordering Information

GOT5100T-834-J	10.4" SVGA fanless touch panel computer with Intel® Celeron® processor J1900, 5-wire resistive touch screen, AC-DC 60W power adapter (screw type connector) and EMI class B
GOT5100T-834-DC	10.4" SVGA fanless touch panel computer with Intel® Celeron® processor J1900, 5-wire resistive touch screen and 9 to36 VDC power input (terminal block connector)
GOT5100T-834-XGA-J	10.4" XGA fanless touch panel computer with Intel® Celeron® processor J1900, 5-wire resistive touch screen, AC-DC 60W power adapter (screw type connector) and EMI class B
GOT5100T-834-XGA-DC	10.4" XGA fanless touch panel computer with Intel® Celeron® processor J1900, 5-wire resistive touch screen and 9 to36 VDC power input (terminal block connector)

Optional

Wi-Fi + Bluetooth kit	
Speaker kit	
E226171106	Stand kit
881251203A0E	RFID kit

* Specification and certifications are based on options and may vary.

Optional EOS Installation

- WES 7
- WE8S
- Windows 10 IoT Enterprise

Optional OS Installation

- Windows® 7
- Windows® 8.1
- Windows® 10

