

Installing the SO-DIMM Memory

- Step 1** Turn off the system, and unplug the power adaptor.
Step 2 Turn the system upside down to locate screws at the bottom, loosen screws.



- Step 3** Remove the bottom cover and HDD bracket.



- Step 4** Please find the DRAM position then insert memory carefully.



- Step 5** Finally, fasten the HDD bracket and bottom cover to complete installation.

Note: Please refer to the user's manual to get more detail information.

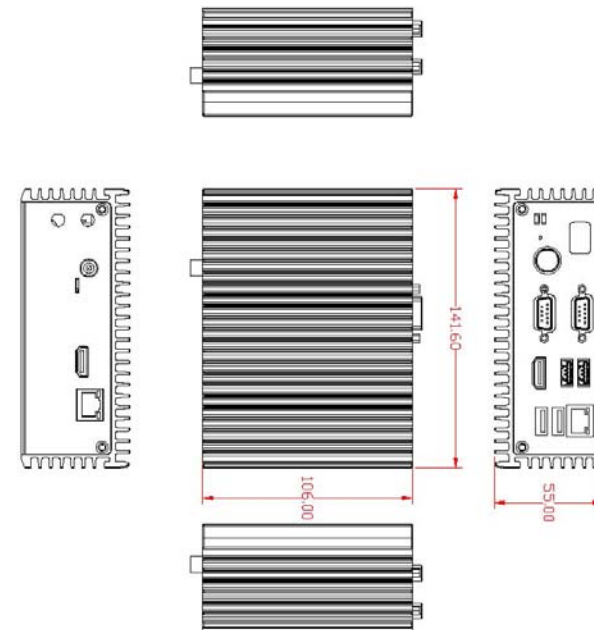
eBOX560-500-FL Quick Installation Guide

Packing List

System Unit x 1	DVD/CD x 1 (for Driver & Manual)
Quick Installation Guide x 1	Optional Wall-mount kit
Screws Pack x 1	Optional Din-rail & VESA kit
Optional SSD/HDD	Optional DRAM
Optional mSATA	Optional Mini Card Modules

- Do not try to apply power to the system if any damaged components.

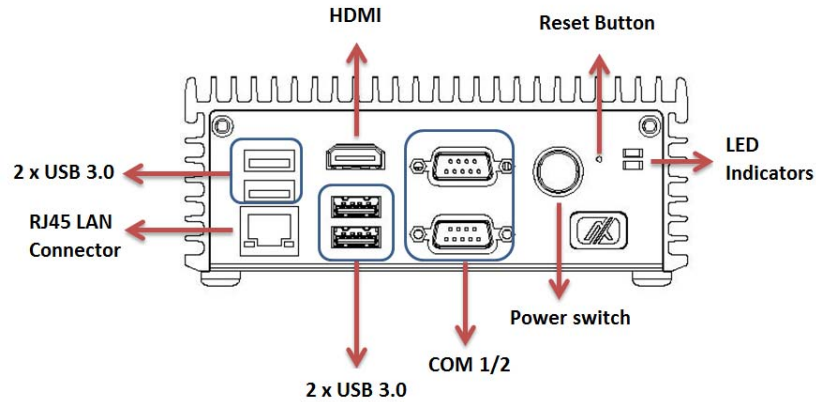
Dimensions



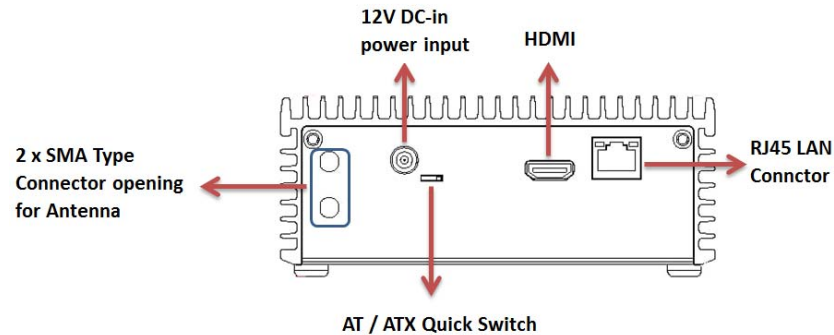
I/O Outlets

The following figures show you I/O outlets on front and rear panels of the eBOX560-500-FL Series.

➤ Front View



➤ Rear View



Installing the Hard Disk Drive

- Step 1** Turn off the system, and unplug the power adaptor.
- Step 2** Turn the system upside down to locate screws at the bottom, loosen screws.
- Step 3** Remove the bottom cover.
- Step 4** Please find the HDD bracket location then loosen four screws of HDD bracket to take out it.



- Step 5** Please prepare the following procedure to assemble HDD.



- Step 6** Lock the HDD and fasten screws then connect SATA & Power cables.



- Step 7** Please fasten screws of HDD bracket to complete installation.

