



®

AXIOMTEK

IRU131

Robust Din-rail Fanless Embedded System

Hardware User's Manual



Disclaimers

This manual has been carefully checked and believed to contain accurate information. Axiomtek Co., Ltd. assumes no responsibility for any infringements of patents or any third party's rights, and any liability arising from such use.

Axiomtek does not warrant or assume any legal liability or responsibility for the accuracy, completeness or usefulness of any information in this document. Axiomtek does not make any commitment to update the information in this manual.

Axiomtek reserves the right to change or revise this document and/or product at any time without notice.

No part of this document may be reproduced, stored in a retrieval system, or transmitted, in any form or by any means, electronic, mechanical, photocopying, recording, or otherwise, without the prior written permission of Axiomtek Co., Ltd.

©Copyright 2018 Axiomtek Co., Ltd.

All Rights Reserved

May 2018, Version A1

Printed in Taiwan

Safety Precautions

Before getting started, please read the following important safety precautions.

1. Be sure to ground yourself to prevent static charge when installing the internal components. Use a grounding wrist strap and place all electronic components in any static-shielded devices. Most electronic components are sensitive to static electrical charge.
2. Disconnect the power cord from the IRU131 before making any installation. Be sure both the system and the external devices are turned OFF. Sudden surge of power could ruin sensitive components. Make sure the IRU131 is properly grounded.
3. Make sure the voltage of the power source is correct before connecting the equipment to the power outlet.
4. Turn OFF the system power before cleaning. Clean the system using a cloth only. Do not spray any liquid cleaner directly onto the screen.
5. Do not leave this equipment in an uncontrolled environment where the storage temperature is below -45°C or above 85°C . It may damage the equipment.
6. Do not open the system's back cover. If opening the cover for maintenance is a must, only a trained technician is allowed to do so. Integrated circuits on computer boards are sensitive to static electricity. To avoid damaging chips from electrostatic discharge, observe the following precautions:
 - Before handling a board or integrated circuit, touch an unpainted portion of the system unit chassis for a few seconds. This will help to discharge any static electricity on a human body.
 - When handling boards and components, wear a grounding wrist strap, available from most electronic component stores.

Classification

1. Degree of protection against electric shock: not classified
2. Equipment not suitable for use in the presence of a flammable anesthetic mixture with air or with oxygen or nitros oxide.
3. Mode of operation: Continuous
4. Type of protection against electric shock: Class I equipment

General Cleaning Tips

You may need to take the following precautions before you begin to clean the computer. When you clean any single part or component for the computer, please read and understand the details below fully.

When you need to clean the device, please rub it with a piece of dry cloth.

1. Be cautious of the tiny removable components when you use a vacuum cleaner to absorb the dirt on the floor.
2. Turn the system off before you start to clean up the component or computer.
3. Never drop the components inside the computer or get circuit board damp or wet.
4. Be cautious of all kinds of cleaning solvents or chemicals when you use it for the sake of cleaning. Some individuals may be allergic to the ingredients.
5. Try not to put any food, drink or cigarette around the computer.

Cleaning Tools

Although many companies have created products to help improve the process of cleaning your computer and peripherals users can also use household items to clean their computers and peripherals. Below is a listing of items you may need or want to use while cleaning your computer or computer peripherals.

Keep in mind that some components in your computer may only be cleaned using a product designed for cleaning the same types of components. Please read the instructions that come with a cleaning product to avoid misuse.

- Cloth: A piece of cloth is the best tool to use when rubbing up a component. Although paper towels or tissues can be used on most hardware as well, we still recommend you to rub it with a piece of cloth.
- Water or rubbing alcohol: You may moisten a piece of cloth a bit with some water or rubbing alcohol and rub it on the computer. Unknown solvents may be harmful to the plastics parts.
- Vacuum cleaner: Absorb the dust, dirt, hair, cigarette particles, and other particles out of a computer can be one of the best methods of cleaning a computer. Over time these items can restrict the airflow in a computer and cause circuitry to corrode.
- Cotton swabs: Cotton swabs moistened with rubbing alcohol or water are excellent tools for wiping hard to reach areas in your keyboard, mouse, and other locations.
- Foam swabs: Whenever possible it is better to use lint free swabs such as foam swabs.



We strongly recommend that you should shut down the system before you start to clean any components.

Note

Please follow the steps below:

1. Close all application programs
2. Close operating software
3. Turn off power
4. Remove all devices
5. Pull out the power cable

Scrap Computer Recycling

Please inform the nearest Axiomtek distributor as soon as possible for suitable solutions in case computers require maintenance or repair; or for recycling in case computers are out of order or no longer in use.

Trademarks Acknowledgments

Axiomtek is a trademark of Axiomtek Co., Ltd. IBM, PC/AT, PS/2, VGA are trademarks of International Business Machines Corporation.

Intel[®] and Pentium[®] are registered trademarks of Intel Corporation.

MS-DOS, Microsoft C and QuickBASIC are trademarks of Microsoft Corporation.

VIA is a trademark of VIA Technologies, Inc.

SST is a trademark of Silicon Storage Technology, Inc.

UMC is a trademark of United Microelectronics Corporation. Other brand names and trademarks are the properties and registered brands of their respective owners.

Table of Contents

Safety Precautions	iii
Classification	iv
General Cleaning Tips	iv
Cleaning Tools	v
Scrap Computer Recycling	vi
CHAPTER 1 INTRODUCTION	1
1.1 General Description	1
1.2 System Specifications	2
1.2.1 CPU	2
1.2.2 System Memory	2
1.2.3 Console Port	2
1.2.4 LAN	2
1.2.5 Storage	2
1.2.6 USB	2
1.2.7 WatchDog Timer (WDT).....	2
1.2.8 COM.....	3
1.2.9 Power.....	3
1.2.10 Digital I/O Connector and Pin Definition	3
1.2.11 Device ID Settings	7
1.2.12 System LED	7
1.2.13 Wireless (3G/GPRS or WiFi).....	8
1.2.14 Reset Button	8
1.2.15 Operation Temperature	9
1.2.16 Storage Temperature	9
1.2.17 Humidity.....	9
1.2.18 Weight	9
1.2.19 Dimensions.....	9
1.2.20 System I/O Outlet	9
1.3 Jumper setting	10
1.3.1 JP1	10
1.3.2 JP3.....	10
1.4 Dimensions	11
1.5 I/O Outlets	12
1.6 Packing List	13
CHAPTER 2 HARDWARE INSTALLATION	15
2.1 Installing Din-rail Mounting	15

This page is intentionally left blank.

CHAPTER 1

INTRODUCTION

This chapter contains general information and detailed specifications of the IRU131. Chapter 1 includes the following sections:

- General Description
- System Specification
- Dimensions
- I/O Outlets
- Packing List

1.1 General Description

The IRU131 din-rail fanless embedded system features a low power RISC-based module (i.MX 6Ultralite) processor and is designed to withstand temperatures ranging from -40°C to +70°C for using in extreme operating environment and industrial automation applications.

The IRU131 features 1 RS-232/422/485 serial port, 1 LAN, 1 DIO Port (2-In/2-Out), 1 eMMC of 8GB onboard and 1 microSD socket for easy storage expansion and access in a compact, industrial-strength robust case. Its vertical din-rail form factor makes it easy to install the system in a small cabinet. Thanks to the RISC-based architecture, IRU131 will not generate a lot of heat during operation. The ready-to-run IRU131 is specially designed for industrial machines, automatic parking lots, traffic cabinets and more.

● Features

- Fanless
- Wide operating temperature of -40°C - +70°C
- Low power RISC-based module (i.MX 6Ultralite), 528MHz Processor
- 1 10/100Mbps Ethernets with magnetic isolation protection
- 1 COM Port (RS-232/422/485) with isolation 2KV protection.
- 1 Console Port for user setting with debug (change DB9 connector function via switch)
- 1 USB 2.0 with power distribution control and over current protection
- 1 DIO Port (2-In/2-Out) with Dry/Wet contacts and optical isolation protection 2KV
- 1 Watchdog Timer
- LED Indicators (status, USB power, COM,DIO, wireless)
- Support 2 Wireless (3G/4G or Wifi)
- SNMP V1/V2c
- Storage:
 - Supports one eMMC of 8GB onboard (for boot disk)
 - Supports one micro SD Card (easy-to-access, for store only)
- 1 power path with terminal block and 9–48VDC
- Din-rail mounting

1.2 System Specifications

1.2.1 CPU

- Low power RISC-based module i.MX 6Utralite, ARM® Cortex®-A7 core RISC-based 528MHz Processor

1.2.2 System Memory

- 1 x 512MB DDR3 SDRAM onboard

1.2.3 Console Port

- Shared with COM1 (Switch for serial port or console port)
- For user debug settings

1.2.4 LAN

- LAN 1
 - 10/100Mbps LAN w/ magnetic isolation protection 1.5KV

1.2.5 Storage

- 1 x eMMC of 8GB onboard (for boot disk)
- 1 x microSD slot (easy-to- access, for storage only)

1.2.6 USB

- 1 x USB2.0 Type-A port

1.2.7 WatchDog Timer (WDT)

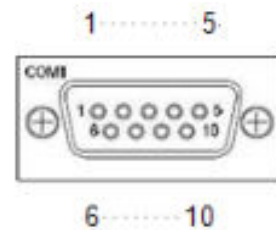
- 0.5 to 128 seconds with a time resolution of 0.5 seconds

1.2.8 COM

- DB9 Pin define
- Magnetic isolation protection 2KV
- RS232/RS422/RS485 (COM1)
- COM 1 with TX/RX/RTS/CTS signals
- RS-232/422/485 interface selected by software

COM1

Pin	RS-232	RS-422	RS-485
1		TX-	Data-
2	RX	TX+	Data+
3	TX	RX+	--
4		RX-	--
5	Ground	Ground	Ground
6		--	--
7	RTS	--	--
8	CTS	--	--
9		--	--



1.2.9 Power

- DC input range 9~48V
- DC Input has UVP/Reverse protection.
UVP (Under voltage protection)
Reserve protection
- Power consumption 9~48VDC, 0.46A~0.11A
 - 0.46A@9V
 - 0.35A@12V
 - 0.11A@48V
- DC Terminal Block

Pin	DC Signal Name
1	Power+
2	Power-
3	UPS signal in
4	UPS signal ground

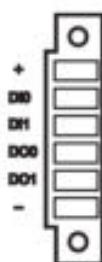


1.2.10 Digital I/O Connector and Pin Definition

- 2 DI/ 2 DO with optical isolation protection 2KV
- DI: Wet/Dry
- DO: Wet
- DIO Design Specification

Digital Input	
Input Channels	2,source type
Input Voltage	0 to 24VDC
Digital Input Levels for Dry Contacts	Logic level 0:Close to GND Logic level 1:Open
Digital Input Levels for Wet Contacts	Logic level 0:+10V to +24V (DI To COM-) Logic level 1:+3V max.
Digital Output	
Output Channels	2,sink type
Output Current	Max. 200 mA per channel
On-state Voltage	24VDC nominal, open collector to 30V

- DIO 2-IN/2-OUT of TB06 Female



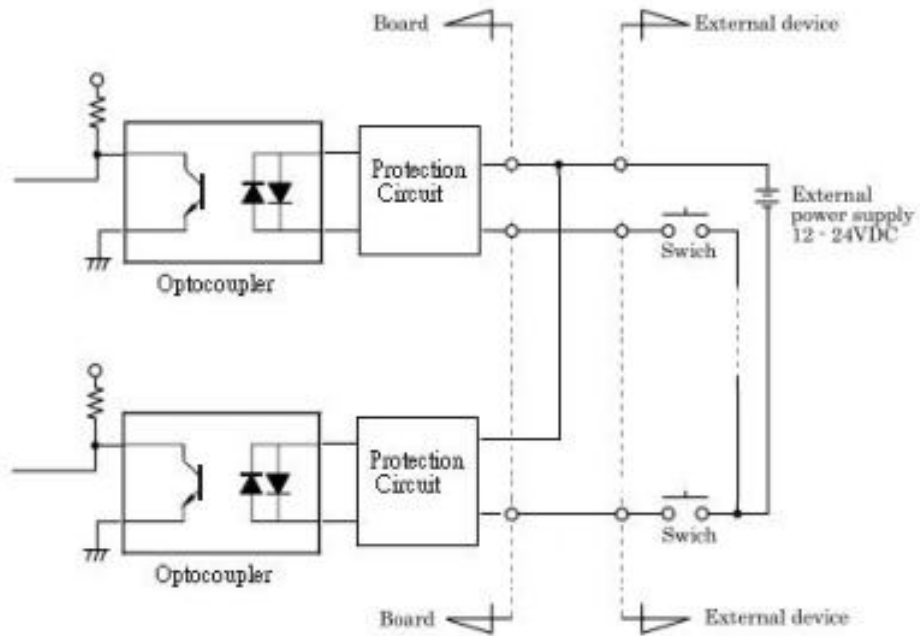
IRU131 DIO Terminal Block

TB18 Pin No.	Signal name	Meaning
1	COM+	Plus Common for DIO
2	DI0	Digital Input
3	DI1	
4	DO	Digital Output
5	COM-	Minus Common for DIO

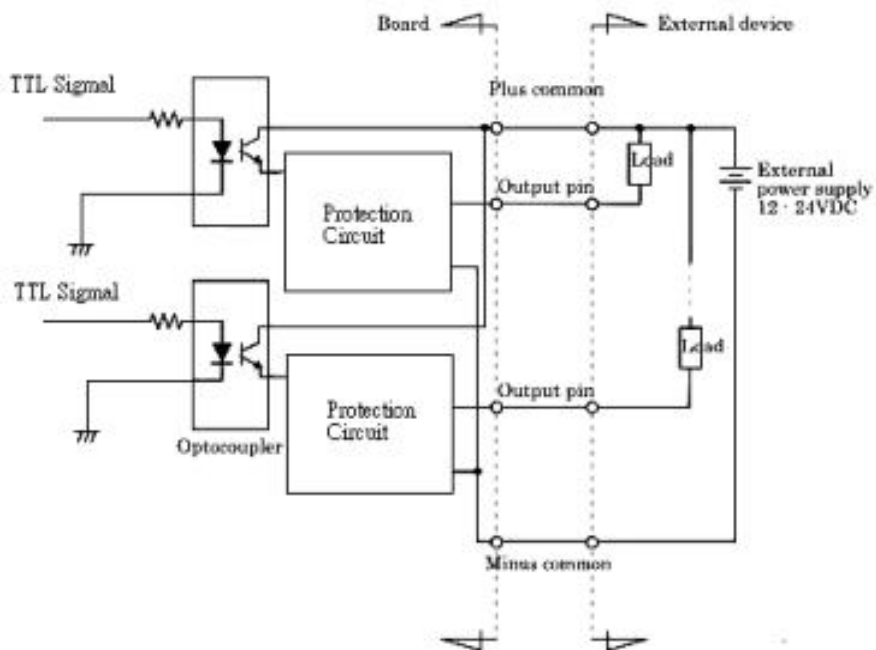
TB18 Pin No.	Signal name	Meaning
1	COM+	Plus Common for DIO
2	DI0	Digital Input
3	DI1	
4	DO0	Digital Output
5	DO1	
6	COM-	Minus Common for DIO

- DIO operation schematic diagram

Input Circuit

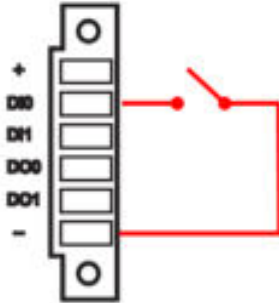


Output Circuit

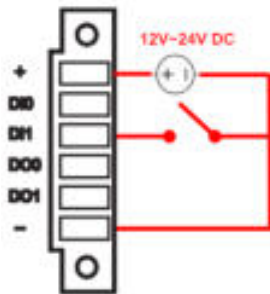


- Digital Input Wiring

Dry Contact

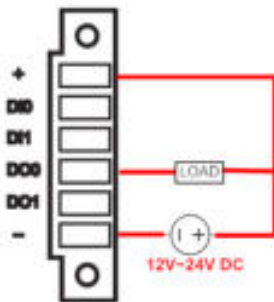


Wet Contact

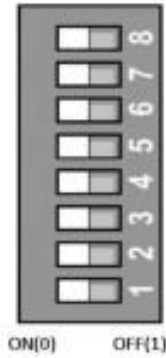


Note: If you are using wet contacts, you must connect COM to power.

- Digital Output Wiring



1.2.11 Device ID Settings



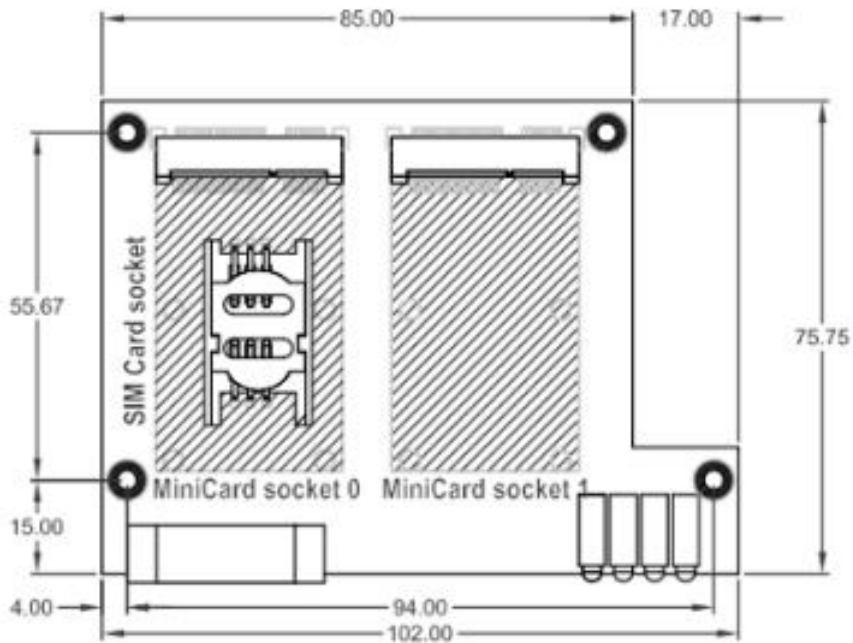
- DIP switches can be used to select different addressing options and assign the Device ID.
- Right switch position: OFF
- Left switch position: ON

1.2.12 System LED

LED Name	Description	Color	Note
Status	The LED helps users judge whether boot is finished and the OS can work normally or not. When the boot has finished system configuration, the LED will turn ON. - The LED is blinking: Bootloader or Linux kernel loading. - The LED is always ON: The system is ready.	Green	
USB Power	On –USB Power is on. Off –USB Power is off.	Green	
COM	The LED is Blinking –Working in console mode The LED always On –Working in UART mode	Green	
COM TX	When COM1 is transmitting data, the LED will turn on.	Green	
COM RX	When COM1 is receiving data, the LED will turn on.	Green	
LINK 0/1	MiniCard 0/1 indicator On – There is activity on this port. Off – No link is established.	Green	
DI 0/1	Digital input 0/1 indicator On –The digital input is high Off –The digital input is low	Green	
DO 0/1	Digital output 0/1 indicator On –The digital output is high Off –The digital output is low	Green	

1.2.13 Wireless (3G/GPRS or WiFi)

- 1 x Mini card socket 0 (supports USB interface) with 1 x SIM Card Socket by inside
- 1 x Mini card socket 1 (supports USB interface)
- Support WiFi or 3G/4G



Mini card sockets correspond to SIM card sockets and LED:

Mini Card Socket	SIM Card Socket	LED
Mini Card Socket 0	SIM Card Socket	Link 0
Mini Card Socket 1		Link 1

1.2.14 Reset Button

- 1 x Reset button

1.2.15 Operation Temperature

- -40°C ~ +70°C (-40 °F ~ +158°F)

1.2.16 Storage Temperature

- -45°C ~ +85°C (-49 °F ~ +185°F)

1.2.17 Humidity

- 10% ~ 95% (non-condensation)

1.2.18 Weight

- 0.3kg

1.2.19 Dimensions

- 55mm(W) x 82mm(D) x 108mm(H)

1.2.20 System I/O Outlet

- 1 9-pin D-Sub male connectors (COM1 port or Console Port)
- 1 10/100Mbps Ethernets with magnetic isolation protection
- 1 USB 2.0 Type-A with power distribution control and over current protection
- 1 DIO Port (2-In/2-Out) with Dry/Wet contacts and optical isolation protection 2KV
- 1 DC Power Input with terminal block



All specifications and images are subject to change without notice.

Note

1.3 Jumper setting

1.3.1 JP1

Function	Setting
Copy image to eMMC	JP1 1-2 Close
Boot to OS (eMMC) (Default)	JP2 3-4,5-6 Close JP2 7-8, 11-12 Close
Boot to OS (SD Card)	JP2 3-4, 9-10 Close



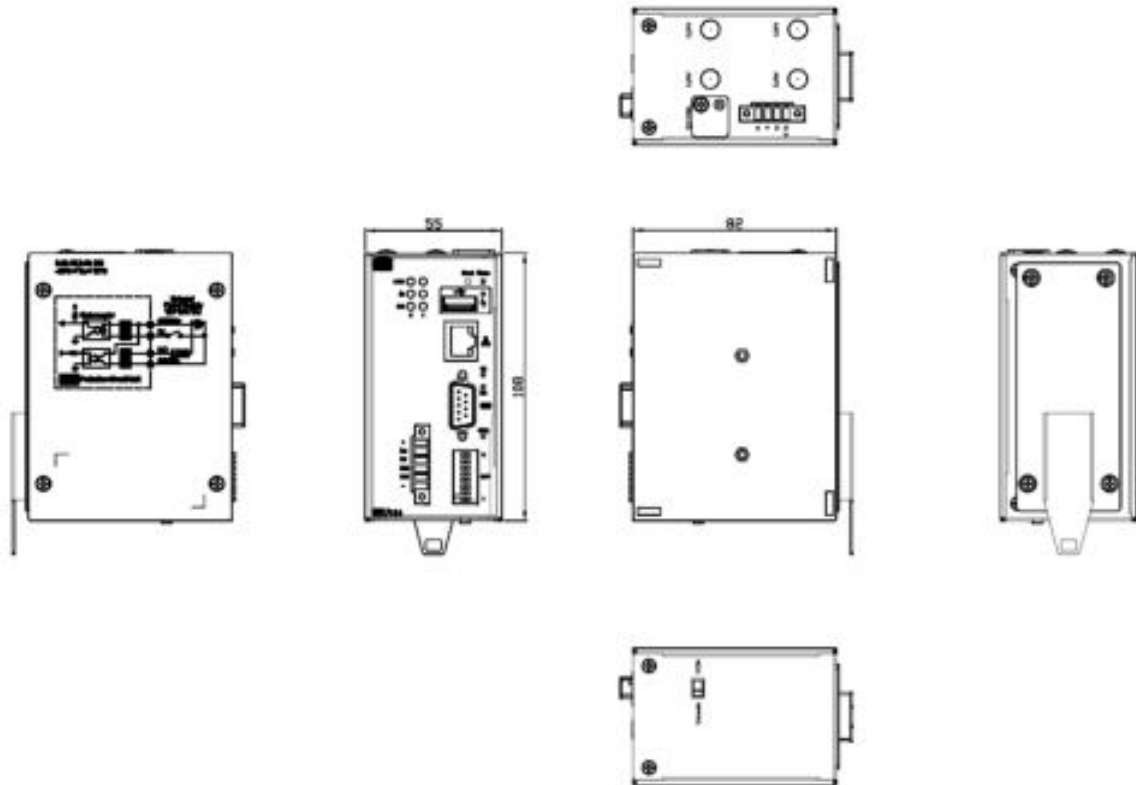
1.3.2 JP3

Function	Setting
OTG Client	JP3 1-2 Close
OTG Host (Default)	JP3 1-2 Open



1.4 Dimensions

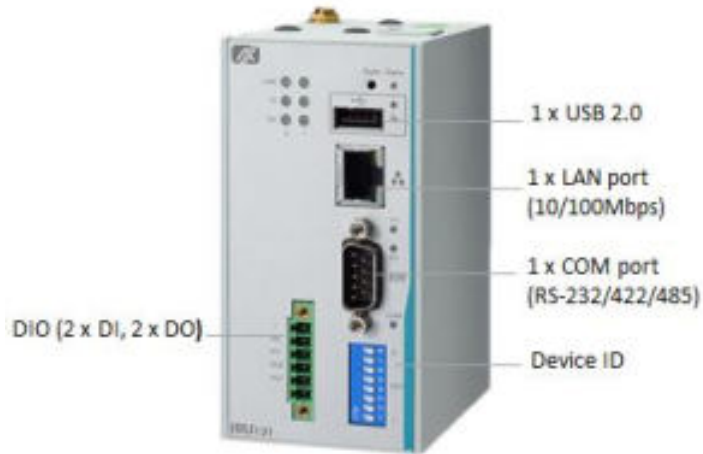
The following diagrams show the dimensions and outlines of the IRU131



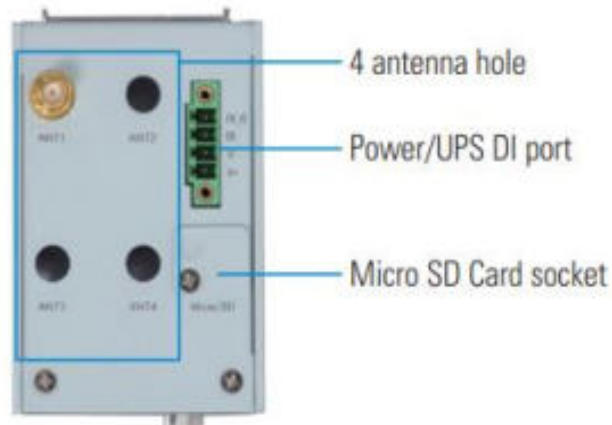
1.5 I/O Outlets

The following figures help you locate the I/O outlets on the front, top and bottom of the IRU131.

- **Front View**



- **Top View**



- **Bottom View**



1.6 Packing List

The package bundled with your IRU131 should contain the following items:

- IRU131 System Unit x 1
- IRU131 Quick Installation Guide x 1
- Screw x 8
- Din-rail Kit x1
- Power terminal block x 1
- DIO & AI terminal block x 1



Note

Please download the latest BSP or the latest Web_AP for IRU131 from Axiomtek's website as below list if you have the demand.

<http://www.axiomtek.com.tw/Default.aspx?MenuId=Products&FunctionId=ProductView&ItemId=24289&upcat=134>

Please contact an Axiomtek distributor if any of the above-mentioned items is damaged or missing.

This page is intentionally left blank.

CHAPTER 2 HARDWARE INSTALLATION

2.1 Installing Din-rail Mounting

The IRU131 provides a Din-rail mount that customers can install as below:

Prepare the Din-rail mount assembling components (Four screws and a bracket) ready.



This page is intentionally left blank.