

Bottom View

Jumper Settings

Before applying power to the SDM300S, please make sure onboard jumper is in factory default position.

Jumper	Description	Setting
JP1	Auto Power On Default: Enable	1-2 Close: Enable 2-3 Close: Disable

Connectors

Connector	Description
CN2	USB 3.0 Port 0~1
LAN1	Ethernet Port
NGFF1	M.2 E Key 2230 Socket
SW1	Power and Reset Button
SJ1	SDM Edge Connector

Note: Please refer to the product information CD for the complete user's manual, drivers and utilities. User's manual and related documents are in Acrobat PDF format.

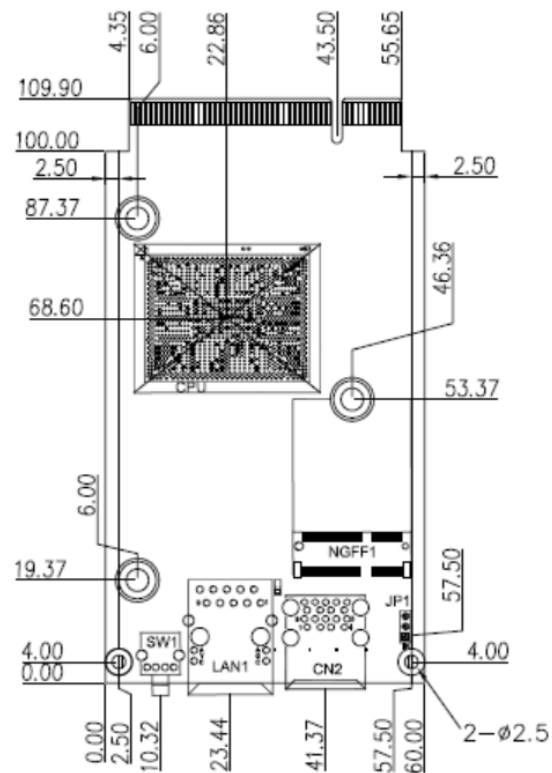
SDM300S Quick Installation Guide

Checklist

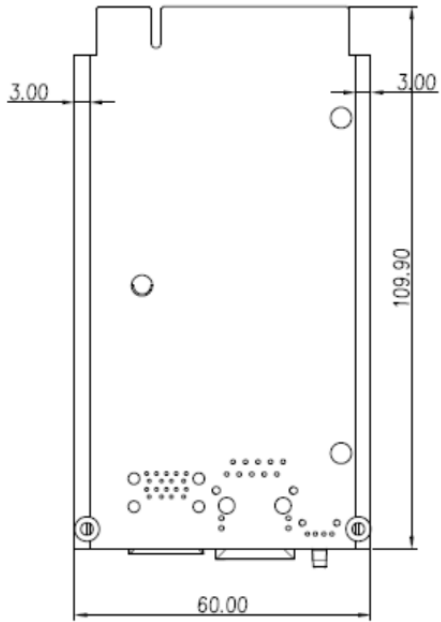
- ✓ SDM300S Board x1
- ✓ Product Information CD x1
- ✓ Quick Installation Guide x1

Note: Please contact your local vendors if any damaged or missing items. DO NOT apply power to the board if there is any damaged component.

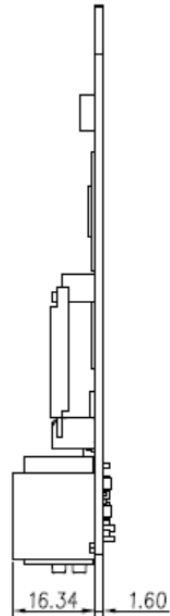
Module Dimensions and Fixing Holes



Top View

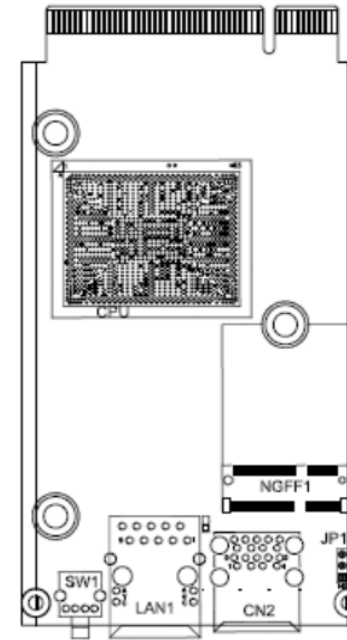


Bottom View



Side View

Module Layout



Top View