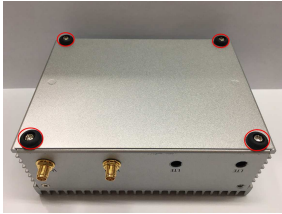


Installing the M.2 2280 M-Key SSD Module

Step 1 Turn off the system, and unplug the power adaptor.

Step 2 Turn the system upside down to locate screws at the bottom side as red marked and loosen four screws.



Step 3 Remove the bottom cover.

Step 4 Locate the M.2 2280 M-Key slot on the board.



Step 5 Holding the M.2 2280 M-Key SSD card at a 30 degree angle up from horizontal, slowly insert the golden fingers into the M.2 2280 M-Key slot until it is fully inserted in.



Step 6 Press it down, and secure the M.2 2280 M-Key SSD card to the carrier by tightening up the M3*4L Phillips flat head screw.



Note: Please refer to the user's manual to get more detail information.

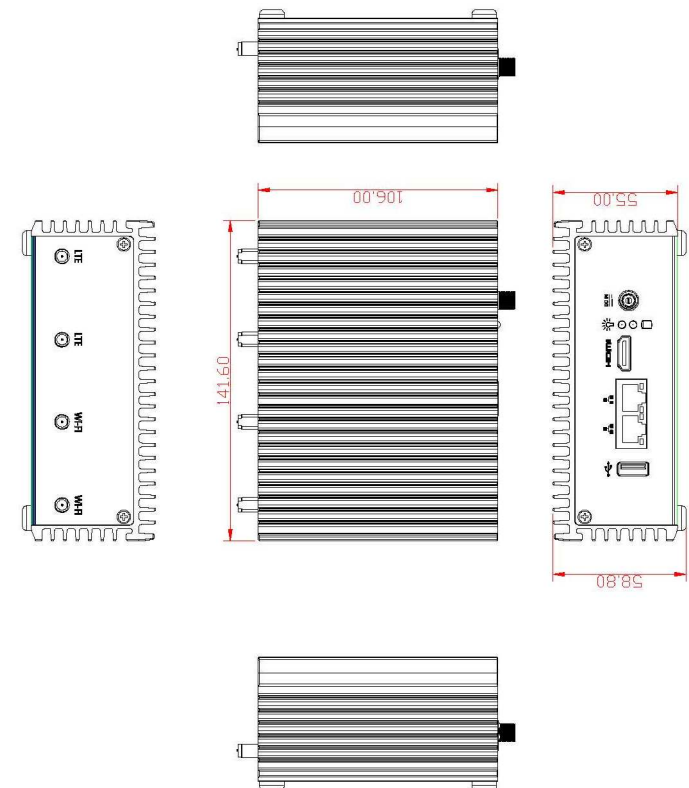
eBOX560-900-FL Quick Installation Guide

Packing List

System Unit x 1	EU Power cord x 1 or US Power cord x 1
Quick Installation Guide x 1	12VDC / 60W AC to DC Adapter x 1
Screws Pack x 1	Foot Pad x 4

➤ Do not try to apply power to the system if any damaged components.

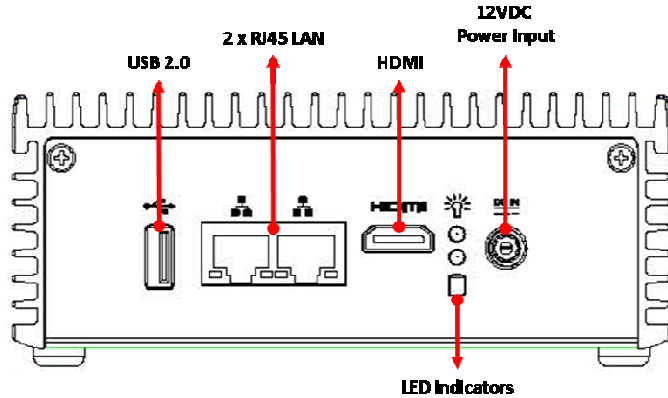
Dimensions



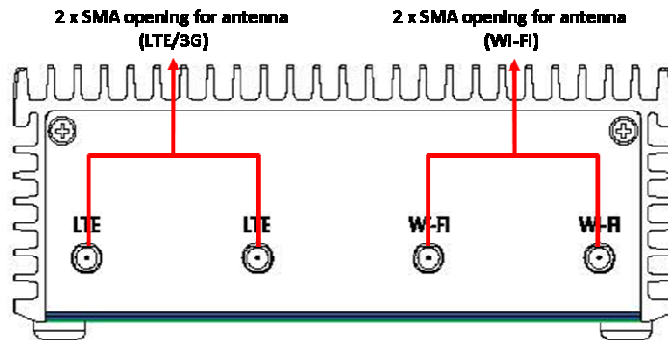
I/O Outlets

The following figures show you I/O outlets on front and rear panels of the eBOX560-900-FL Series.

Front View



Rear View



Installing the PCI Express Mini Card

- Step 1 Turn off the system, and unplug the power adaptor.
- Step 2 Turn the system upside down to locate screws at the bottom side as red marked and loosen four screws.



- Step 3 Remove the bottom cover.
- Step 4 Locate the PCI Express mini card slot on the board.



- Step 5 Holding the PCI Express mini card at a 45 degree angle up from horizontal, slowly insert the golden fingers into the PCI Express slot until it is fully inserted in.



- Step 6 Press it down, and secure the PCI Express mini card to the carrier by tightening up one M2*5L Phillips pan head screw.

