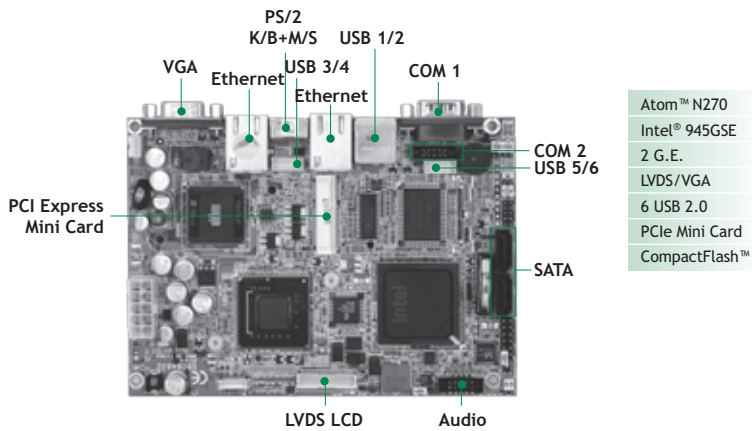


# SBC84832

Intel® Atom™ N270 3.5" Embedded SBC with Intel® 945GSE + ICH7M Chipset, LVDS/VGA, DualView, 2 COM and Dual LANs



Atom™ N270
Intel® 945GSE
2 G.E.
LVDS/VGA
6 USB 2.0
PCIe Mini Card
CompactFlash™

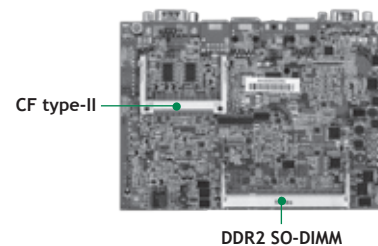
## Features



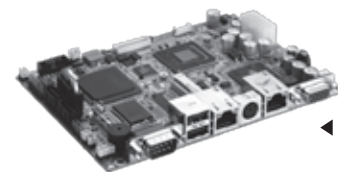
- Intel® Atom™ processor N270 1.6 GHz with FSB 533 MHz
- Intel® 945GSE + ICH7M chipset
- With Intel Gen 3.5 high performance integrated graphics controller for VGA and LVDS
- 6 USB 2.0 ports
- 2 COM ports
- PCI Express Mini Card expansion

## System

CPU	Intel® Atom™ processor N270 1.6 GHz onboard with FSB 533 MHz
System Memory	1 x 200-pin SO-DIMM supports DDR2-400/533 max. up to 2GB
Chipset	Intel® 945GSE + ICH7M
BIOS	AMI
SSD	1 x CompactFlash™ type-II
Watchdog Timer	255 levels, 1-255 sec.
Expansion Interface	1 x PCI Express Mini Card
Battery	Lithium 3V/220 mAH
Power Requirements	Intel® Atom™ N270 @1.6 GHz, 1GB DDR2 Max. RMS: +5VSB @ 25.12mA, +5V @ 1.677A, +12V @ 184mA
Size	146 x 104 mm
Board Thickness	1.6 mm
Temperature	0°C ~ +60°C (32°F ~ 140°F), operation
Relative Humidity	10% ~ 95% relative humidity, non-condensing



◀ Rear view



◀ Side view

## I/O

MIO	1 x PS/2 keyboard and mouse 2 x RS-232; with +5V/+12V powered
SATA	2 x SATA-150
Hardware Monitoring	Detect CPU/system temperature and voltage
Ethernet	2 ports as 10/100/1000Mbps support Wake-on-LAN, RPL/PXE Boot ROM with Realtek RTL8111B (Standard version supports single LAN)
Audio	HD Codec audio as MIC-in/Line-in/Line-out/speaker-out with Realtek ALC662
USB	6 x USB 2.0
SMBus	System Management Bus for advanced monitoring/control
Digital I/O	3 channels IN and 5 channels OUT

## Display

Chipset	Intel® GMA 950 graphics Core
Memory Size	Intel® DVMT 3.0 compliant
Display Interface	1 x VGA 1 x LVDS; 18-bit single channel (SBC84832VGA-N270 w/18-bit LVDS) 1 x LVDS; 18/24-bit single/dual channel (SBC84832VGGA-N270 w/24-bit LVDS; SBC84832VGA-N270 w/24-bit LVDS)

## Packing List

Standard		
Quick installation guide, user's manual/utility CD, cable		
Cable		
Part Number	Description	Qty
593826A0000E	SATA single cable 500mm/ced	1
59384500100E	Audio cable w/ bracket P=2,450mm	1
59382631000E	2 x USB 2.0 wafer cable w/ bracket 180mm	1
59402010000E	ATX power cable 10P L=150mm (RC)	1
Optional		
59382620000E	1 x COM cable w/ bracket P=2.0mm, L=300mm (RC)	

## Ordering Information

Standard	
SBC84832VGA-N270 w/18-bit LVDS (P/N: E384832102)	3.5" SBC with Intel® Atom™ processor N270, VGA/18-bit LVDS LCD, 10/100/1000Mbps Ethernet, audio and PCI Express Mini Card
SBC84832VGA-N270 w/24-bit LVDS (P/N: E384832101)	3.5" SBC with Intel® Atom™ processor N270, VGA/24-bit LVDS LCD, 10/100/1000Mbps Ethernet, audio and PCI Express Mini Card
Optional	
SBC84832VGGA-N270 w/24-bit LVDS (P/N: E384832100)	3.5" SBC with Intel® Atom™ processor N270, VGA/24-bit LVDS LCD, 2 10/100/1000Mbps Ethernet, audio and PCI Express Mini Card