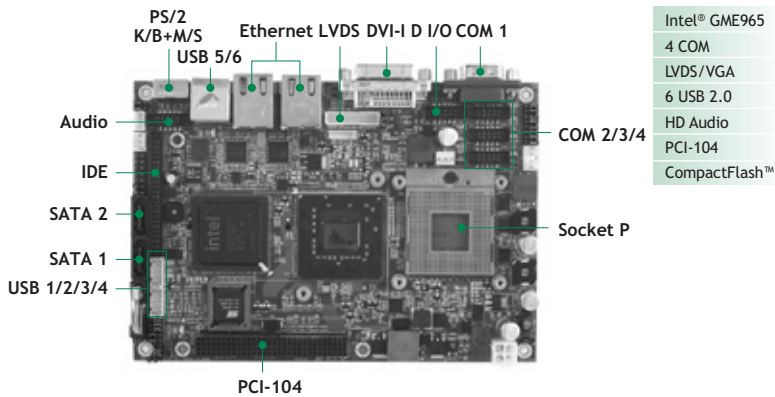


# EP840

Socket P Intel® Core™2 Duo EPIC SBC with Intel® GME965 + ICH8M Chipset, DVI-I/LVDS, Dual LANs and PCI-104 Expansion



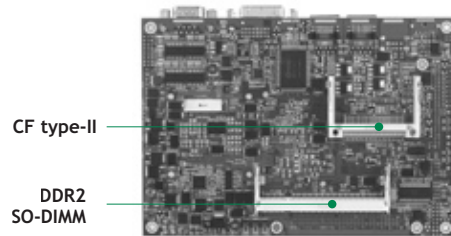
Intel® GME965
4 COM
LVDS/VGA
6 USB 2.0
HD Audio
PCI-104
CompactFlash™

## Features

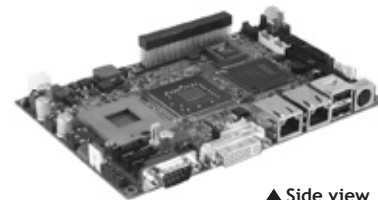
- Socket P (478) and BGA type for Intel® Merom Core™2 Duo/ Celeron® M processors with FSB 667/800 MHz
- Intel® GME965 + ICH8M chipset
- Dual 10/100/1000 Mbps Ethernet
- DualView with different content & resolution
- 6 USB 2.0 ports
- 4 COM ports
- PCI-104 slot for expansion
- +12V only DC-in supported



DualView



▲ Rear view



▲ Side view

## System

CPU	Socket P for Intel® Core™2 Duo/ Celeron® M processors with FSB 533/800 MHz
System Memory	1 x 200-pin SO-DIMM supports DDR2-533/667 max. up to 2GB
Chipset	Intel® GME965 + ICH8M
BIOS	Phoenix-Award
SSD	1 x CompactFlash™ type-II
Watchdog Timer	255 levels, 1-255 sec.
Expansion Interface	1 x PCI-104 for 32-bit PCI supports 3 bus masters
Battery	Lithium 3V/220 mAH
Power Requirements	Intel® Core™2 Duo T8300 @2.4 GHz, 1GB DDR2 Max. RMS: +12V @ 2.955A
Size	165 x 115 mm
Board Thickness	1.6 mm
Temperature	0° C - +60° C (32° F - 140° F), operation (1.4GHz onboard is up to 50° C )
Relative Humidity	10% - 95% relative humidity, non-condensing

## I/O

MIO	1 x IDE; PATA-100 1 x PS/2 keyboard and mouse 4 x RS-232; with +5V/+12V powered
SATA	2 x SATA-300
Hardware Monitoring	Detect CPU/system temperature, voltage and fan speed
Ethernet	2 ports as 10/100/1000Mbps support Wake-on-LAN, RPL/PXE Boot ROM with Realtek RTL8111B
Audio	HD Codec audio as MIC-in/Line-in/Line-out/speaker-out with Realtek ALC262
USB	6 x USB 2.0
Digital I/O	8 channels IN/OUT programmable

## Display

Chipset	Intel® GMA X3100 graphics Core
Memory Size	Intel® DVMT 4.0 compliant
Display Interface	1 x LVDS; 18/24-bit single/dual channel 1 x DVI-I

## Packing List

Quick installation guide, user's manual/utility CD, cable

## Ordering Information

Standard	
EP840DGGGA	Socket P EPIC SBC with DVI/LVDS/VGA, (P/N: E38B840100)
	2 10/100/1000Mbps Ethernet and HD audio

SBC Services and Solutions

System on Modules

Embedded SBCs &gt; EPIC

Embedded SBCs &gt; 3.5" Capa

Embedded SBCs &gt; Pico-ITX

Embedded SBCs &gt; PC/104

Industrial Motherboards

Slot CPU Cards

Accessories

Appendix