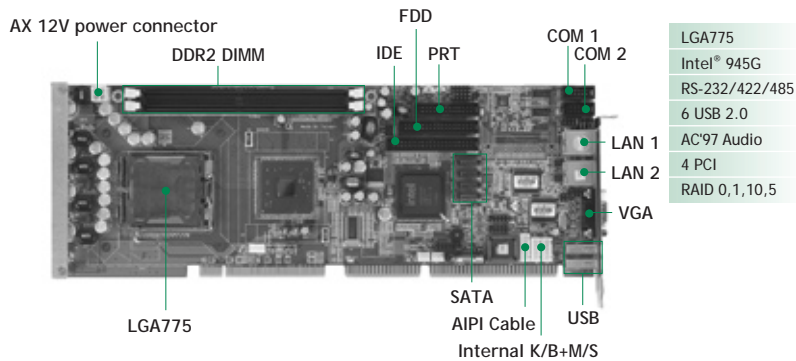


# SBC81203

LGA775 Intel® Core™2 Duo PICMG 1.0 Full-size CPU Card with Intel® 945G + ICH7R Chipset, VGA, Audio and Dual LANs



## System

CPU	LGA775 socket for Intel® Core™2 Duo/ Pentium® 4/ Pentium®/ Celeron® D/ Celeron® processors with FSB 533/800/1066 MHz
System Memory	2 x 240-pin DIMM supports DDR2-400/533/667 max. up to 4GB
Chipset	Intel® 945G + ICH7R
BIOS	Phoenix-Award
SSD	1 x CompactFlash™ type-II socket (optional)
Watchdog Timer	255 levels, 1-255 sec.
Expansion Interface	4 x 32-bit PCI bus masters
Battery	Lithium 3V/220 mAH
Power Requirements	Intel® E6400 @2.133 GHz, 1GB DDR2 +5V_SBY @ 23.6mA, +5V @ 3.686A, +12V (System) @ 25mA, -12V @ 26mA, +12V (CPU) @ 1.723A
Size	338 x 122 mm
Board Thickness	1.6 mm
Temperature	0°C ~ +60°C (32°F ~ 140°F), operation
Relative Humidity	10% ~ 95% relative humidity, non-condensing

## I/O

MIO	1 x IDE; PATA-100 1 x FDD 1 x PS/2 keyboard 1 x PS/2 mouse 1 x LPT; with SPP/EPP/ECP supported 1 x RS-232 (COM 1) 1 x RS-232/422/485 (COM 2)
SATA	4 x SATA-300; with RAID 0/1/10/5
Hardware Monitoring	Detect CPU/system temperature, voltage and fan speed
Ethernet	2 ports as 10/100/1000Mbps support Wake-on-LAN, RPL/PXE Boot ROM with Intel® 82573L
Audio	AC'97 Codec audio as MIC-in/Line-in/Line-out with Realtek ALC203
USB	6 x USB 2.0
SMBus	N/A

## Features

- LGA775 for Intel® Core™2 Duo/ Pentium® D/ Pentium® 4/ Celeron® processor with 533/800/1066 MHz
- Intel® 945G + ICH7R chipset
- 2 DDR2 DIMM support up to 4 GB memory
- With Intel® GMA 950 high performance integrated graphics controller
- 4 SATA-300 with RAID 0, 1, 10 and 5

## Display

Chipset	Intel® GMA 950 graphics Core
Memory Size	Intel® DVMT 3.0 compliant
Display Interface	1 x VGA

## Packing List

Standard		
Quick installation guide, user's manual/utility CD, cable		
Cable		
Part Number	Description	Qty
59380502000E	COM + Print cable w/ bracket	1
59381400000E	FDD flat cable	1
59382601000E	Ultra DMA66 IDE cable 40-pin 455mm	1
593826A0000E	SATA signal cable 500mm	1

## Ordering Information

Standard	
SBC81203VGGA	LGA775 socket PICMG 1.0 full-size CPU card (P/N: E381203100) with VGA, 2 10/100/1000Mbps Ethernet and audio
SBC81203VGA	LGA775 socket PICMG 1.0 full-size CPU card (P/N: E381203101) with VGA, 10/100/1000Mbps Ethernet and audio
Optional	
E9C900B001	LGA775 P4 cooler 3-pin H: 66.8mm
593836A0030E	SATA power cable 4-pin, L=150mm
5938A808010E	2 x USB port cable, L=190mm
59380000450E	Audio cable