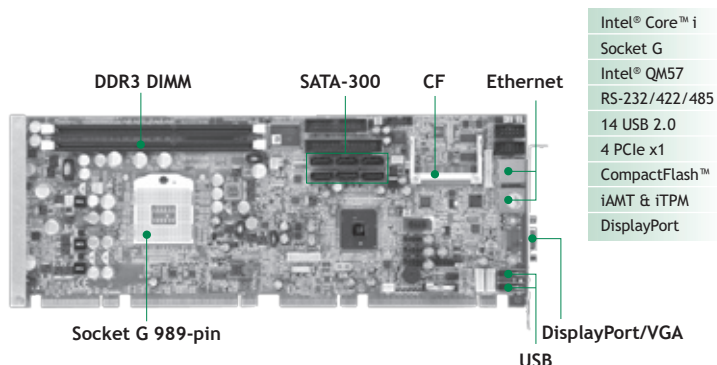


SHB111

Socket G Intel® Core™ i7/ i5/ i3 PICMG 1.3 Full-size CPU Card with Intel® QM57 Chipset, DisplayPort/VGA, LVDS, Dual LANs and Audio



Low Power

Features

- Socket G for Intel® Core™ i7/ i5/ i3 & Celeron® processor
- Intel® QM57 chipset
- 2 DDR3 800/1066 DIMM support up to 8GB memory capacity
- Intel® AMT & TPM supported (optional)
- DisplayPort supported (optional)

System

CPU	Socket G for Intel® Core™ i7/ i5/ i3 & Celeron® processor
System Memory	2 x 240-pin DIMM supports DDR3-800/1066 max. up to 8GB
Chipset	Intel® QM57
BIOS	AMI
SSD	1 x CompactFlash™
Watchdog Timer	255 levels, 1-255 sec.
Expansion Interface	1 x PCIe x16 graphics port supports for SDVO or PCIe x1 devices 4 x PCIe lanes support for 1 x PCIe x4 or 4 x PCIe x1 I/O devices 4 x 32-bit PCI bus masters
Battery	Lithium 3V/220 mAh
Power Requirements	Intel® Core™ i7-620M @2.66 GHz, 1GB DDR3 +5V_SBY @ 63.52mA, +3.3V @ 842mA, +5V @ 869mA, +12V @ 2.178A
Size	338 x 126 mm
Board Thickness	1.6 mm
Temperature	0°C - +60°C (32°F - 140°F), operation
Relative Humidity	10% - 95% relative humidity, non-condensing

I/O

MIO	1 x FDD 1 x PS/2 keyboard 1 x PS/2 mouse 1 x LPT; with SPP/EPP/ECP supported 1 x RS-232 (COM 1) 1 x RS-232/422/485 (COM 2)
SATA	6 x SATA-300 with RAID 0/1/10/5
Hardware Monitoring	Detect CPU/system temperature, voltage and support Smart Fan control
Ethernet	1 st port as 10/100/1000Mbps supports iAMT, Wake-on-LAN, RPL/PXE Boot ROM with Intel 82577LM 2 nd port as 10/100/1000Mbps supports Wake-on-LAN, RPL/PXE Boot ROM with Intel 82583V
Audio	HD Codec audio as MIC-in/Line-in/Line-out/ Speaker-out with Realtek ALC662
USB	14 x USB 2.0
TPM	Infineon SLB9635 for trusted platform
SMBus	System Management Bus for advanced monitoring/control

Display

Chipset	Intel® HD Graphics
Memory Size	Intel® DVMT 5.0 compliant
Display Interface	1 x VGA 1 x DisplayPort (optional) 1 x LVDS; 18/24-bit single/dual channel

Packing List

Standard		
Quick installation guide, user's manual/utility CD, cable		
Cable		
Part Number	Description	Qty
59380502000E	COM + Print cable w/ bracket	1
593826A0000E	SATA signal cable 500mm	1

Ordering Information

Standard	
SHB111VGGA (P/N:E38C111100)	Socket G Intel® Core™ i7/ i5/ i3 & Celeron® PICMG 1.3 full-size CPU card with VGA, LVDS, 2 10/100/1000Mbps Ethernet and audio
SHB111PGGA (P/N:E38C111101)	Socket G Intel® Core™ i7/ i5/ i3 & Celeron® PICMG 1.3 full-size CPU card with DisplayPort, LVDS and 2 10/100/1000Mbps Ethernet and audio