

MMT225

22" TFT Multi-function Medical Grade Touch LCD Monitor



- | | | |
|-------------------------|-------------------|---------------------------|
| 1. Camera | 6. Monitor switch | 11. Video |
| 2. Auto-adjusted/Return | 7. Audio-out | 12. Power switch |
| 3. Menu | 8. DVI | 13. Audio (Mic-in) |
| 4. SEL+/SEL- | 9. VGA | 14. USB 2.0 x 2 |
| 5. Power LED | 10. S-video | 15. USB (type B) |
| | | 16. DC-in power connector |

Introduction

The MMT225 is a slim medical grade touch LCD monitor, which adopts 22-inch 300 nits WSXGA LCD display. Especially designed for medical environment, it adopts IPX1 waterproof design which protects the entire system from outside liquid, preventing system from crashing. This fanless unit features only 69mm in thickness and is outfitted with user-friendly OSD for easy data entry. To ensure medical operation safety, The MMT225 complies with UL60601-1/EN60601-1, CE and FCC Class B certifications. By supporting lock-type medical adaptor plug, this slim medical grade monitor fits all kinds of harsh environments. Its high brightness display also incorporates multi-signal inputs of VGA, S-video, video,

DVI, audio-in and 3 USB ports (1 slave, 2 host) to connect with a wide range of medical equipments. Its optional 1.3 mega pixels camera and built-in microphone/2W stereo speakers enable remote communication. In addition, Bluetooth is an available option for wireless connection with medical peripheral devices. To improve patient treatment accuracy, the optional RFID (radio frequency identification) offers an efficient way to validate patient identification and give proper treatment.

Specifications

| | | | | | |
|---------------------------------|---|----------------|-----------------------|---|------------------|
| Front Bezel | Plastic ABS | | Input Signal | VGA Video: R.G.B Analog 0.7v Peak-to-Peak Video S-Video DVI Touchscreen: USB interface Audio-in 3 USB (1 slave, 2 host) | |
| Mounting | Desktop stand, wall mounting or VESA FPMPMI mounting (video electronics standards association Flat Panel monitor physical mounting interface) | | I/O Connector | 1 x USB for touchscreen control 1 x VGA input 1 x RCA video 1 x S-Video for video 1 x DVI 1 x lock-type DC power input 1 x Audio-in 2 x USB (2 host) | |
| LCD Panel | Display Type | 22" TFT LCD | Power Adapter | Lock type external 24V AC/DC medical grade power adapter | |
| | Max. Resolution | 1680 x 1050 | Touchscreen | Thickness | Resistive: 3.2mm |
| | Max. Colors | 16.7M | | Light Transmission | Resistive: 80% |
| | Active Area (mm) | 473.76 x 296.1 | Power | Resistive: +5V @ 100mA | |
| | Pixel Pitch (mm) | 0.282 x 0.282 | Consumption | | |
| | Response Time | 20ms | Touch Life | Resistive: 35million touches | |
| | Backlight | CCFL | Controller interface: | USB connector | |
| | Backlight MTBF | 50,000 hrs | | | |
| Viewing Angle (H/V) | 178° / 178° | | | | |
| Contrast Ratio | 1000 (TYP.) | | | | |
| Brightness (cd/m ²) | 300 nits | | | | |
| Display Control | OSD (on screen display) | | | | |
| Display Mode | VGA 640 x 480 (60/72Hz), VGA 640 x 350 (70Hz), VGA 720 x 400 (70Hz), XGA 1024 x 768 (60/70/75Hz), SVGA 800 x 600 (60/72Hz) SXGA 1280 x 1024 (60/70/75Hz) WSXGA 1680 x 1050 (60/70/75Hz) | | | | |

Features



- 22" TFT 300 nits WSXGA+ LCD
- Water/dust-proof design (front bezel: IP65, full enclosure: IPX1)
- Built-in internal microphone/2W stereo speakers
- Optional Bluetooth reader/1.3 mega pixels camera combo/RFID
- Supports multi-signal inputs: VGA, S-video, video, DVI, Audio-in, 3 USB ports (1 slave, 2 host)
- Supports wall mount, desktop stand and VESA FPMPMI
- UL60601-1, EN60601-1, CE, FCC class B certified
- Supports NTSC, PAL

| | |
|--------------------|---|
| Dimensions | 573.5 mm (22.58") (W) x 68.5 mm (2.69") (D) x 399 mm (15.71") (H) |
| Weight (net/gross) | 8.48 kg (18.69 lb)/13.02 kg (28.7 lb) |
| Environment | Operating temperature: 0°C ~ +45°C (32°F ~ 104°F) Storage temperature: -20°C ~ +60°C (-4°F ~ +140°F) Relative humidity: 20% ~ 90%, non-condensing |
| Certification | UL60601-1, EN60601-1, CE, FCC class B |

Ordering Information

| | |
|-----------|--|
| MMT225 | 22" TFT medical grade monitor with USB 2.0 interface resistive touchscreen |
| MMT225-CO | 22" TFT medical grade monitor with USB 2.0 interface resistive touchscreen, Combo and 1.3 mega pixels camera |

* Specification and certifications are based on options and may vary.

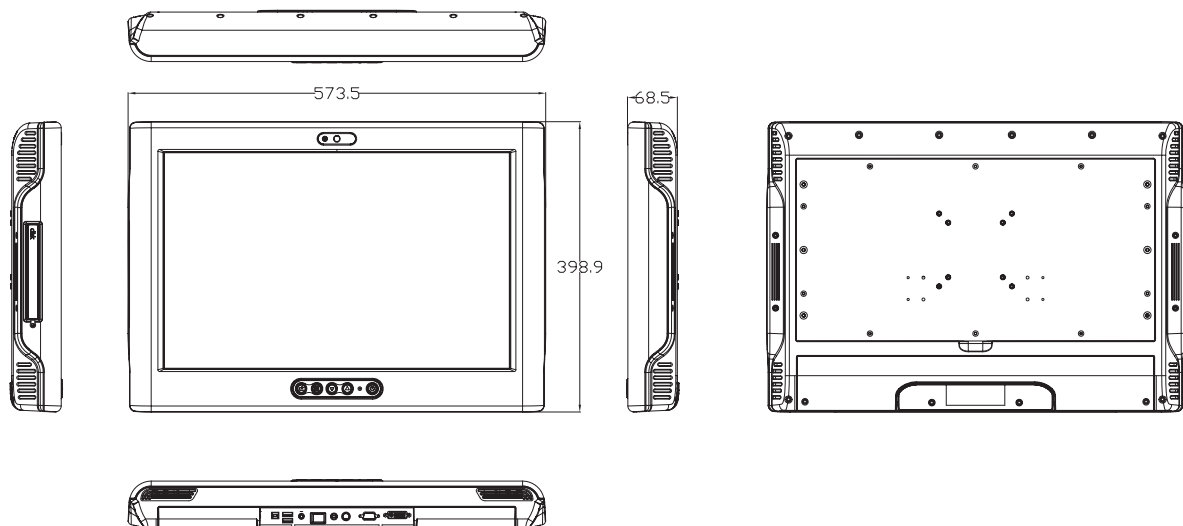
Optional Accessories

| | |
|------------|-----------------------------------|
| E202003330 | VM-101 VESA ARM (clamp type) |
| E202003329 | VM-105 VESA ARM (wall mount type) |
| E228170100 | 22" stand kit |



Slim design

Dimensions



Touch Panel Computers for Various Industry Applications

Digital Signage and Display Solutions

Medical Panel Computers

Medical Grade Monitors

GOT Fanless Touch Panel Computers

Touch Panel Computers for Infotainment

Touch Panel Computers for Automation

Touch Panel Monitors for Automation

Open Frame Panel Computers

Accessories