

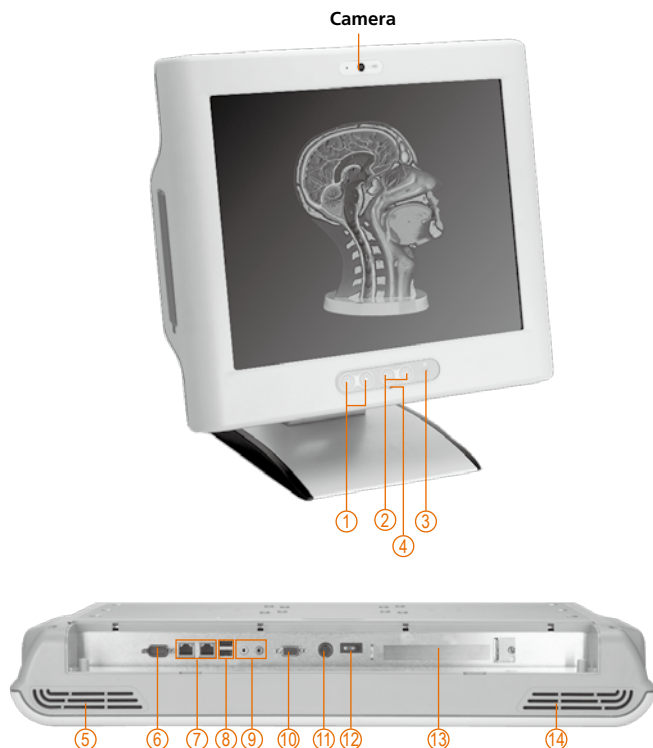
MPC175-851-FL

17" TFT Fanless Super Slim Medical Grade Panel Computer with Intel® Core™2 Duo Processor up to 2.26 GHz



Features

- 17" high brightness (380 nits) SXGA TFT LCD
- Fanless socket P Intel® Core™2 Duo or Intel® Celeron® M processor
- UL60601-1/EN60601-1, CE & FCC class B certified
- Water/dust-proof design (front bezel: IP65, full enclosure: IPX1)
- Optional combo drive (for MPC175-851-FL-AC-CO)
- 1 PCI or PCIe x4 expansion slot (for MPC175-851-FL-AC-PCI or MPC175-851-FL-AC-PCIe)
- Optional Bluetooth/RFID reader
- Built-in 1.3 mega pixels camera
- Optional internal wireless (802.11 b/g) antenna



- | | | |
|------------------------------|----------------------------|----------------------|
| 1. Brightness adjust buttons | 5. Speaker (R) | 10. VGA |
| 2. Volume adjust buttons | 6. COM 1 (RS-232/422/485) | 11. Power connector |
| 3. Power LED | 7. Ethernet x 2 | 12. Power switch |
| 4. MIC | 8. USB 2.0 x 2 | 13. PCI or PCIe slot |
| | 9. Audio (Line-out/Mic-in) | 14. Speaker (L) |



Introduction

The MPC175-851-FL is a 17-inch slim TFT fanless medical grade panel computer, which is well-suited for applications like medical image processing and medical measuring instrument. Especially designed for the medical environment, it adopts IPX1 waterproof design which protects the entire system from outside liquid, preventing system from crashing. Powered by socket P Intel® Core™2 Duo processor and PCI expansion slot, the MPC-175-851-FL is definitely the best choice for your medical panel computer.

This platform complies with UL60601-1/EN60601-1, CE, FCC Class B certifications to ensure medical operation safety. It is outfitted with 17-inch SXGA TFT LCD display. Additionally, the MPC175-851-FL offers flexible CPU selection with socket

type which reduces cost, increases convenience over onboard CPU, and still maintains a fanless operation and long product life cycle. For expansion capability, the unit supports one PCI or PCIe x4 slot for video capture card, data acquisition card and more. The built-in 1.3 mega pixels camera, microphone and stereo speakers allow medical professionals to execute remote operation. Bluetooth is an available option for wireless connection with medical peripheral devices. Optional WiFi (802.11 b/g) allows wireless real-time connection of patient record for assessment. To improve patient treatment accuracy, the optional RFID (radio frequency identification) offers an efficient way to validate patient identification and give proper treatment.

Specifications

| | | | | |
|-------------|---------------------------------|---|------------------|--|
| Front Bezel | Plastic ABS | | BIOS | AMI BIOS with SmartView and customer CMOS backup |
| LCD Panel | Display Type | 17" SXGA TFT | Storage | Supports 1 x 2.5" SATA HDD 1 x CompactFlash™ |
| | Brightness (cd/m ²) | 380 nits | Optional Drive | 1 x compact 8X/24X combo drive (for MPC175-851-FL-AC-CO) |
| | Resolution | 1280 x 1024 | | Watchdog Timer |
| | Viewing Angle (H/V) | 160° / 160° | Onboard Graphics | Intel® GM45 |
| Main System | CPU | Fanless socket P Intel® Core™2 Duo or Intel® Celeron® M processor | | |
| | Chipset | Intel® GM45 + ICH9M | | |
| | System Memory | Supports 2 x DDR3 SO-DIMM memory max. up to 8 GB | | |

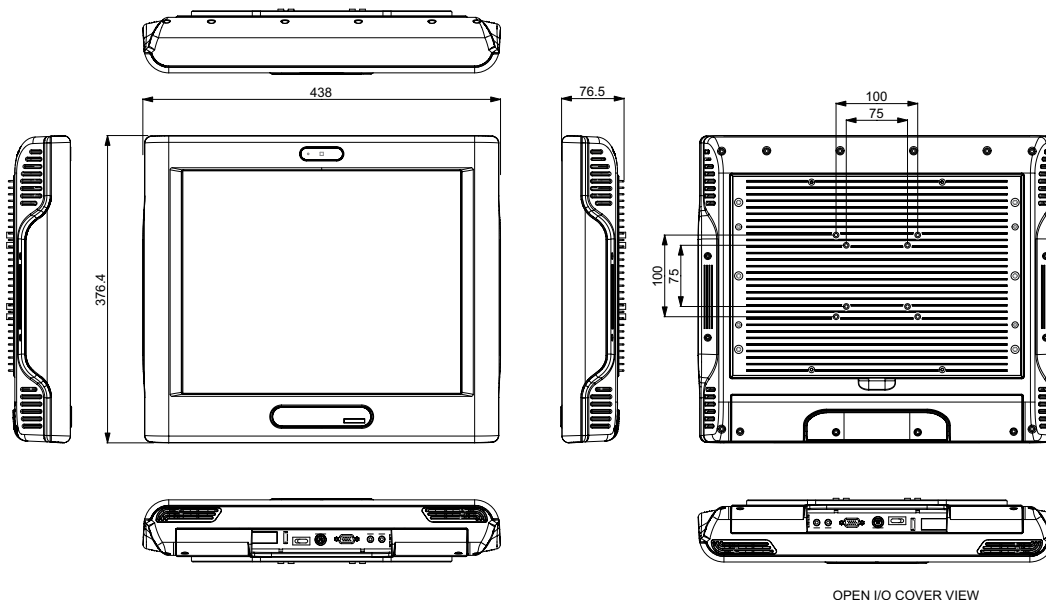
| | |
|---------------------|---|
| I/O Connector | 1 x RS-232/422/485 (COM 1) 2 x USB 2.0 1 x Audio (Mic-in/Line-out) 2 x 10/100/1000Mbps Ethernet 1 x VGA |
| Expansion Interface | 1 x PCI or PCIe x4 slot (for MPC175-851-FL-AC-PCI or MPC175-851-FL-AC-PCIe) |
| Camera | 1 x 1.3 mega pixels camera |
| Touchscreen | Resistive type Light transmission: 80% Touch life 35 million touches |
| Power Supply | External 24V _{DC} with AC/DC medical grade power adapter |
| Dimensions | 438 mm (17.24") (W) x 76.5 mm (3.01") (D) x 376.4 mm (14.81") (H) |
| Weight (net/gross) | 7.65 kg (16.85 lb)/9 kg (19.84 lb) |
| Environment | Operating temperature: 0° C - +40° C (32° F - 104° F) Relative humidity: 10% - 95%, non-condensing |
| Certification | CE, FCC class B, EN60601-1, UL60601-1 |

Ordering Information

| | |
|-----------------------|--|
| MPC175-851-FL-AC-CO | 17" TFT fanless medical grade panel computer with resistive T/S and slim Combo |
| MPC175-851-FL-AC-PCI | 17" TFT fanless medical grade panel computer with resistive T/S, PCI expansion, w/o CD-ROM |
| MPC175-851-FL-AC-PCIe | 17" TFT fanless medical grade panel computer with resistive T/S, PCIe x4 expansion, w/o CD-ROM |

* Specification and certifications are based on options and may vary.

Dimensions



OPEN I/O COVER VIEW

Optional Accessories

| | |
|------------|-----------------------------------|
| E202003330 | VM-101 VESA ARM (clamp type) |
| E202003329 | VM-105 VESA ARM (wall mount type) |
| E228170100 | 17" stand kit |

Optional OS Installation

| |
|------------------|
| Windows® XP |
| Windows® 7 |
| Linux kernel 2.6 |



Stand kit

Overview

Digital Signage Solutions

Healthcare & Medical Solutions
> Medical Panel Computers

Healthcare & Medical Solutions
> Medical Grade Monitors

Fanless & Heavy-duty Touch Panel Computers

Touch Panel Computers for Infotainment

Industrial Touch Panel Computers & Monitors
> Industrial Touch Panel Computers

Industrial Touch Panel Computers & Monitors
> Industrial Touch Panel Monitors

Open Frame Panel Computers

Accessories