

# PANEL6158

15" TFT Industrial LCD Monitor



- 1. DC power input
- 2. DVI
- 3. VGA
- 4. Video
- 5. S-Video
- 6. T/S port (D-sub optional)

## Features



- 15" TFT 250 nits high brightness XGA LCD
- NEMA 4/12(IP65)- compliant panel mounting flat panel monitor (PANEL6158-P) with plastic front bezel
- Resistive type of touchscreen
- Supports full range screw-type (locked) AC-in or 24V DC-in (option)
- Supports multi-signal inputs: VGA, S-video, video and DVI
- Supports panel mount, wall mount, rackmount and VESA arm

## Introduction

The PANEL6158 is an ultra slim industrial LCD monitor, which adopts 15-inch 250 nits high brightness XGA LCD display and supports multi-signal interfaces including DVI, VGA, S-Video, Video. Featuring NEMA4/IP65 compliant front bezel, screw-type adaptor plug design, and 12/24V DC-In means it is fit for all kinds of industrial environments. Moreover, the PANEL6158 supports panel, wall, rack or

VESA FPMPMI (Video Electronics Standards Association Flat Panel Monitor Physical Mounting Interface) mounting. With the compact mechanism design, users can enjoy free from space constraint. It is especially suitable for POI/POS, excellent HMI, media-display applications and all kinds of heavy-duty industrial fields.

## Specifications

Front Bezel	NEMA 4/12 (IP65)-compliant, plastic front bezel	
Mounting	Panel mounting, wall mounting or VESA FPMPMI mounting (video electronics standards association Flat Panel monitor physical mounting interface)	
LCD Panel	Display Type	15" TFT LCD
	Max. Resolution	1024 x 768
	Max. Colors	16.2M
	Active Area (mm)	304.128 x 228.096
	Pixel Pitch (mm)	0.297 x 0.297
	Response Time	8ms
	Backlight	2 CCFL
	Backlight MTBF	50,000 hrs
Viewing Angle (H/V)	140° / 125°	
Contrast Ratio	700 (TYP.)	
Brightness (cd/m <sup>2</sup> )	250 nits	
Display Control	OSD (on screen display)	
Display Mode	VGA 640 x 480 (60 / 72Hz), VGA 640 x 350 (70Hz), VGA 720 x 400 (70Hz), XGA 1024 x 768 (60/70/75Hz), SVGA 800 x 600 (60 / 72Hz)	

Input Signal	VGA Video: R.G.B Analog 0.7v Peak-to-Peak	
	Video	
	S-Video	
	DVI	
I/O Connectors	Touchscreen: Serial RS-232 or USB (for resistive)	
	1 x RS-232 or USB for touchscreen version	
	1 x VGA input	
	1 x RCA for video	
	1 x S-Video for video	
Power Adapter	1 x DVI	
	1 x Screw-type DC power input	
Touchscreen	Screw-type external AC / DC power adapter	
	Thickness	Resistive: 3.2mm
	Light Transmission	Resistive: 80%
	Power Consumption	Resistive: +5V @ 100mA
	Touch Life	Resistive: 35million touches
	Controller interface: RS-232	
	D-type 9-pin male connector or USB connector (for resistive)	

Dimensions	420mm (16.53") (W) x 65.4mm (2.57") (D) x 335mm (13.18") (H)
Weight (net/gross)	5.45 kg (12.02 lb)/8.6 kg (18.96 lb)
Environmental	Operation temperature: 0°C ~ +50°C (32°F ~ 122°F) Storage temperature: -20°C ~ +60°C (-4°F ~ +140°F) Relative humidity: 20% ~ 90%, non-condensing
Certification	CE

### Ordering Information

<b>PANEL6158</b>		
AC Power	Panel Mount Monitor	
	Resistive	PANEL6158PR-AC
	Glass	PANEL6158PG-AC
24Vdc Power	Panel Mount Monitor	
	Resistive	PANEL6158PR-24Vdc
	Glass	PANEL6158PG-24Vdc
<b>PANEL6158L (Input: VGA and DVI only)</b>		
AC Power	Panel Mount Monitor	
	Resistive (RS-232)	PANEL6158LPR-AC
	Resistive (USB)	PANEL6158LPR-AC-U
	Glass	PANEL6158LPG-AC

\*Specifications and certifications are limited to optional.

### Optional Accessories

ARM-VM-101	VESA ARM (clamp type)
ARM-VM-105	VESA ARM (wall mount type)
Wall mounting & desktop stand	
Rack-mount kit	

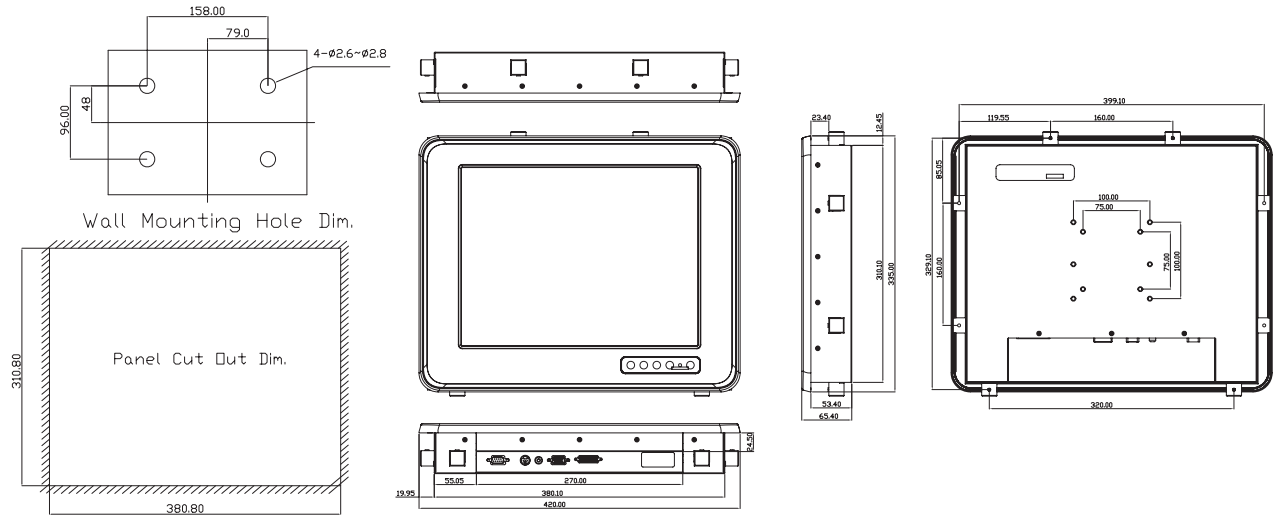


Stand kit



Screw-type power input

### Dimensions



- Touch Panel Computers for Various Industry Applications
- Digital Signage and Display Solutions
- Medical Panel Computers
- Medical Grade Monitors
- GOT Fanless Touch Panel Computers
- Touch Panel Computers for Infotainment
- Touch Panel Computers for Automation
- Touch Panel Monitors for Automation
- Touch Panel Computers with HMI Software