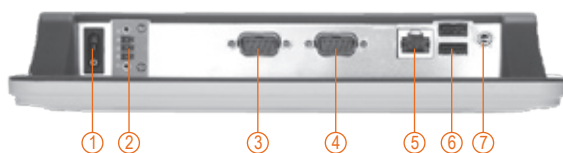


# GOT-5840TL-621

## 8.4" SVGA TFT Super Slim Fanless Touch Panel Computer



- |                           |                     |
|---------------------------|---------------------|
| 1. Power switch (AT)      | 5. Ethernet         |
| 2. 24 VDC power           | 6. USB 2.0 x 2      |
| 3. COM 1 (RS-232/422/485) | 7. Audio (Line-out) |
| 4. COM 2 (RS-232)         |                     |



### Features

- 8.4" SVGA (800 x 600) color TFT LCD display
- Fanless cooling system with AMD Geode™ LX800 processor onboard
- Slim design: thickness 44mm
- Embedded OS: Windows® CE.NET, XP Embedded supported
- Easy for expansion: 1 MiniPCI expansion slot
- Over-current protection fuse
- Supports panel mount, wall mount, VESA arm (optional)



Side view

## Introduction

The GOT-5840TL-621 is a super slim and fanless touch panel computer specifically designed for application requiring 800 x 600 resolution. It adopts 8.4" SVGA TFT display, AMD Geode LX800 500 MHz processor and supports various operating systems of Windows XP, XPE, and CE. With the compact design, thickness of 44 mm only, the GOT-5840TL-621 is ideal for space-limited environments. Besides, the GOT-5840TL-621 is equipped with one MiniPCI slot for expansion availability. It's also equipped with CompactFlash™ card for storage capability. Thus, the GOT-5840TL-621 is the best solution for factory automation, machine maker operating systems and building automation.

### Super slim design: 44mm thickness

The GOT-5840TL-621 is a super slim and fanless touch panel computer for limited space applications. This fanless touch panel computer is designed around the

concept of curved lines and soft edges by incorporating an AMD Geode LX800 processor and a streamlined mechanical layout.

### Built-in internal WLAN antenna

The GOT-5840TL-621 provides a mini card slot and a built-in WLAN antenna for wireless network connections. By simply plugging in the wireless LAN card, customers can use the GOT-5840TL-621 in a wireless LAN/GPRS/GSM /3G environments.

### Various Embedded O.S supported for diverse applications

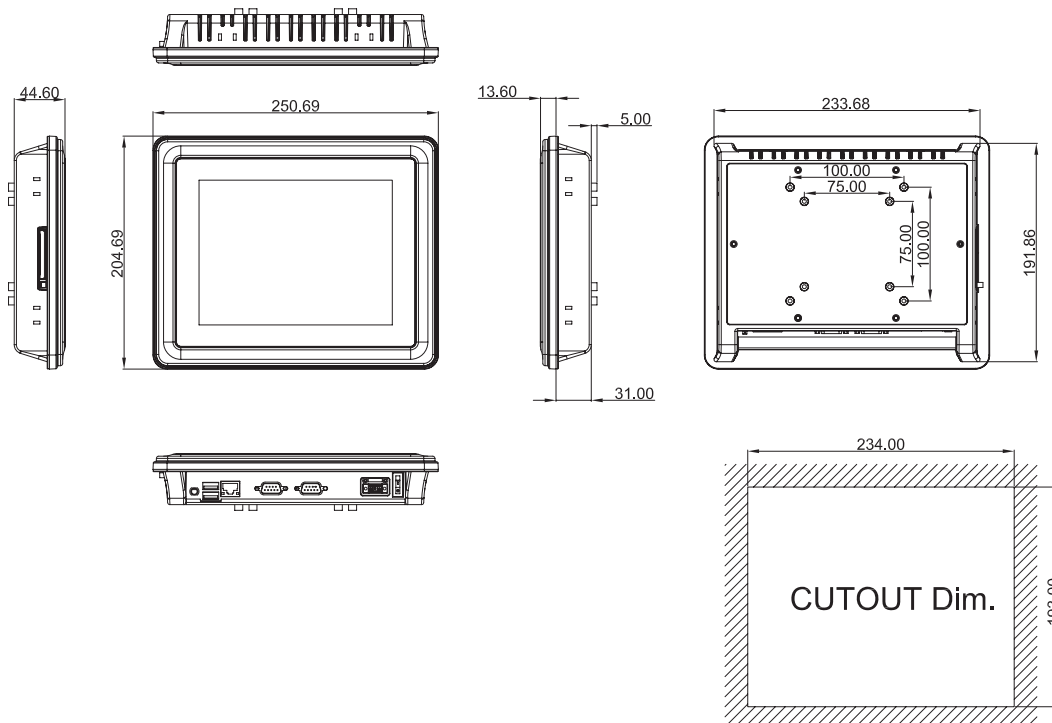
The GOT-5840TL-621 supports various embedded O.S, such as Windows® CE.NET, Windows® XP Embedded, and it provides a flexible platform for diverse applications.

## Specifications

Front Bezel	IP65, NEMA 4 rugged protection, plastic front bezel		System Memory	1 x 200-pin DDR SODIMM max. up to 1 GB
LCD Panel	Display Type	8.4" SVGA TFT LCD	BIOS	Award 4Mbit with RPL/PEX LAN boot ROM, Smartview and customer CMOS backup
	Brightness (cd/m <sup>2</sup> )	250 nits	Storage	1 x CompactFlash™
	Resolution	800 x 600		
	Viewing Angel (H/V)	160° / 140°	Onboard Graphics	Integrated in AMD LX chipset
Main System	CPU	AMD Geode LX800 500 MHz		
	Chipset	AMD LX + CS5536AD		

I/O Connector	1 x RS-232 (COM 2) 1 x RS-232/422/485 (COM 1) 2 x USB 2.0 1 x 10/100Mbps Ethernet 1 x Audio (Line-out)
Expansion Interface	1 x MiniPCI slot
Touchscreen	Resistive type
Power Supply	24V <sub>dc</sub> , w/ fuse over-current protection
Dimensions	251 mm (9.88") (W) x 44.6 mm (1.76") (D) x 205 mm (8.06") (H)
Weight (net/gross)	1.3 kg (2.87 lb)/2.25 kg (4.96 lb)
Environment	Operating temperature: 0°C ~ +50°C (32°F ~ 122°F) (in airflow condition) 0°C ~ +45°C (32°F ~ 113°F) Relative humidity: 10% ~ 95% @ 40°C; non-condensing Operation vibration: 2G, 5 ~ 500Hz, random for CompactFlash™
Certification	CE

## Dimensions



## Ordering Information

GOT-5840TL-621	8.4" SVGA TFT compact fanless touch panel computer
50966A23030E	Power adapter, 72W, 110-230V <sub>ac</sub> to 24V <sub>dc</sub>
E225840102	Desktop stand
Wireless kit	802.11 b/g wireless LAN kit

\* Specification and certifications are based on options and may vary.

## Optional EOS Installation

Windows® CE.NET  
Windows® XP Embedded

## Optional OS Installation

Windows® XP



Desktop stand

Touch Panel Computers for Various Industry Applications

Digital Signage and Display Solutions

Medical Panel Computers

Medical Grade Monitors

GOT Fanless Touch Panel Computers

Touch Panel Computers for Infotainment

Touch Panel Computers for Automation

Touch Panel Monitors for Automation

Open Frame Panel Computers

Accessories