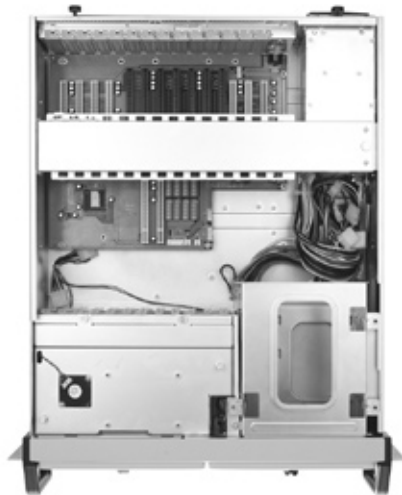


AX6156LE

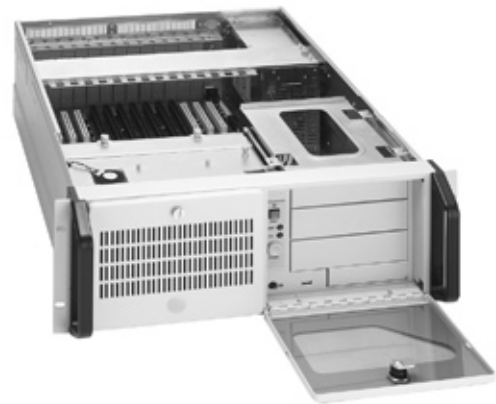
4U 14-slot Rackmount Chassis



Top View

Features

- Three 5.25" and one 3.5" HDD drive bays
- One 12 cm ball-bearing fan (optional two 12 cm fans)
- Supports 14-slot backplane or ATX MB
- Hot-swap redundant power supply supported



Specifications

Standard Color	Beige	System Board	SBCs, ATX MB or IMB series
Construction	Heavy-duty cold-rolled steel	Expansion Interface	14-slot backplane
Drive Capacity	Exposed 3 x 5.25" HDD drive bay and 1 x 3.5" HDD drive bay	Speaker	1 x 0.3W speaker
Cooling	1 x 12 cm ball-bearing fan (88 CFM/each) with a removable filter (optional two fans)	Operating Temperature Range	0°C - 40°C (32°F - 104°F)
Front Panel Indicators	1 x power on/off; 1 x HDD	Dimensions	484.7 mm (19") (W) x 537.6 mm (21.2") (D) x 176.7 mm (7") (H)
Front Panel Controls	1 x power on/off; 1 x system reset	Weight (net/gross)	18 kg (39.68 lb)/19.5 kg (43 lb)
Front Panel Connectors	1 x USB, 1x PS/2 5-pin keyboard		
Pre-punched Panel	2 x 9-pin; 1 x DIN 5-pin keyboard		

Power Supply Specifications

Items	Watt	Specifications		
		Input	Output	MTBF
PS300-XP2	ATX 300W (PFC)	Slide Switch (115V _{AC} /230V _{AC})	+5V @ 30/21.5A +12V @ 15A -12V @ 0.8A +3.3V @ 15/28A +5V _{SB} @ 2A -5V @ 0.3A	100,000 hours
RPS400-HRP	ATX 400W HRP (PFC)	AC 90-264V (Auto)	+5V @ 35A +12V @ 28A -5V @ 0.5A -12V @ 1.2A +3.3V @ 25A +5V _{SB} @ 2.0A	100,000 hours
PS400-XP2	ATX 400W (PFC)	AC 90-264V (Auto)	+5V @ 20A +12V1 @ 16A +12V2 @ 16A -12V @ 0.5A +3.3V @ 20A +5V _{SB} @ 2.5A	100,000 hours
PS501-HRP	ATX 500W HRP (PFC)	AC 90-264V (Auto)	+5V @ 25A +12 @ 41A -12V @ 0.8A +3.3V @ 25A +5V _{SB} @ 3.5A	100,000 hours

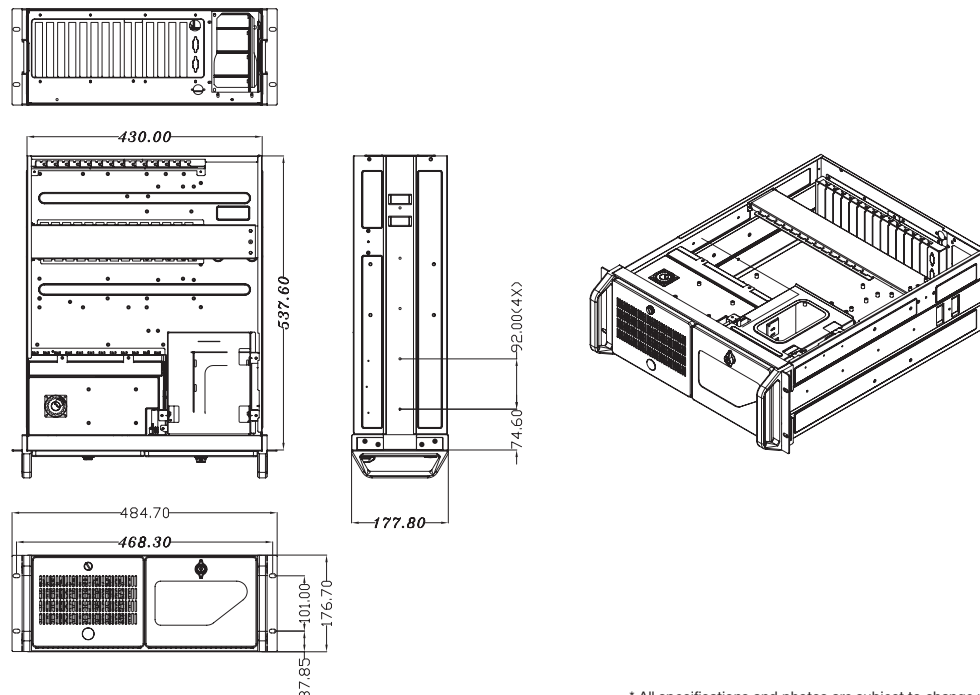
Ordering Information

AX6156LET(W)B/X300	14-slot version, with ATX 300W power supply
AX6156LET(W)B/X400	14-slot version, with ATX 400W power supply
AX6156LET(W)B/X300R	14-slot version, with ATX 300W redundant power supply
AX6156LET(W)M/X300	MB version, with ATX 300W power supply
AX6156LET(W)M/X400	MB version, with ATX 400W power supply
AX6156LET(W)M/X300R	MB version, with ATX 300W redundant power supply

*Specifications and certifications are based on options and may vary.

** T-Black color; W-Beige color

Dimensions



Backplane Options

PICMG 1.0

Models	Slots per Segment (ISA/PCI/CPU)	Segment
ATX6022/13L	8/4/1	Single
ATX6022/14	9/4/1	Single
ATX6022/14G	1/12/1	Single
ATX6022/14GP7	6/7/1	Single
ATX6022/14D	2/4/1	Dual

PICMG 1.3

Models	Slots per Segment (ISA/PCI/PCIe/CPU)	Segment
FAB100	4/4/5/1	Single
FAB101	0/13/0/1	Single
FAB112	0/10/2/1	Single
FAB113	0/4/8/1	Single
FAB114	0/8/4/1	Single

Optional Items

ATX 500W power supply with PFC
ATX 300W redundant power supply with PFC
ATX 500W redundant power supply with PFC

Embedded Systems

Embedded Field Controllers

Embedded MicroBoxes

Industrial Barebone Systems

Industrial Chassis

Industrial Workstations

Backplanes

Power Supplies

Peripherals & Accessories